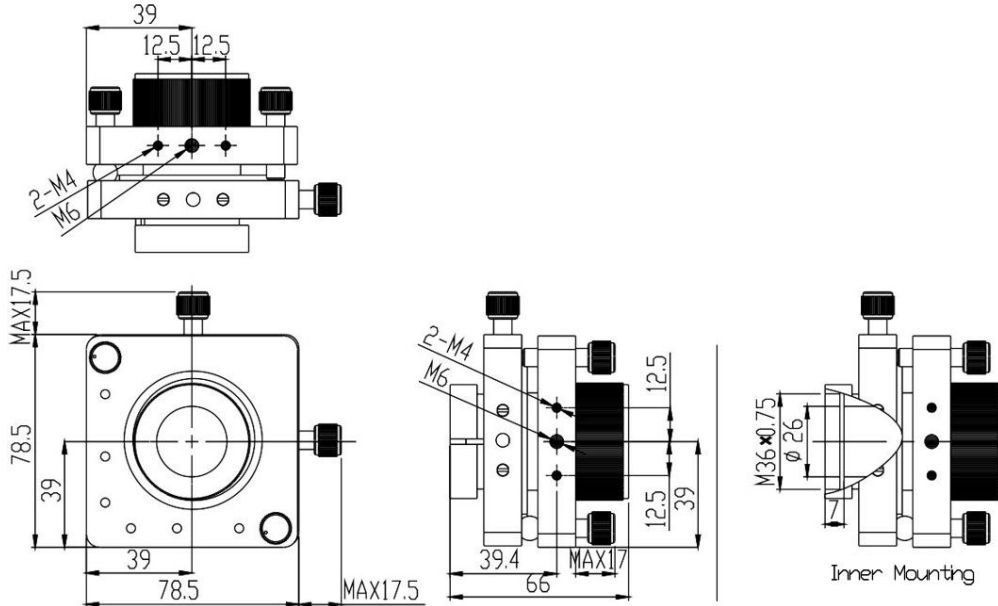


Optics Mount (5-Axis)

Part Number: OM-5-78

Mechanical Drawing:



Technical Specifications:

Direction		X, Y and Z-Axis, and $\theta X$ and $\theta Z$
Dimensions (mm)		78x78
Normal Adjustment Range	X, Y and Z (mm)	$\pm 1.5$
	$\theta X$ and $\theta Z$	$\pm 2^\circ$
Normal Resolution	X and Z (mm)	0.002
	Y (mm)	0.003
	$\theta X$ and $\theta Z$	0.002°
Ultra-fine Adjustment Range	X and Z (mm)	-
	$\theta X$ and $\theta Z$	
Ultra-fine Resolution	X and Z ( $\mu m$ )	-
	$\theta X$ and $\theta Z$	
Aperture (mm)		$\Phi 26$
Load Capacity (kg)		1.5
Weight (kg)		0.56
Remark		-

**NOTE: PROPRIETARY AND CONFIDENTIAL THE INFORMATION CONTAINED IN THIS DRAWING IS THE SOLE PROPERTY OF WAVELENGTH OPTO-ELECTRONIC(S) PTE LTD. ANY REPRODUCTION INPART OR AS A WHOLE WITHOUT THE WRITTEN PERMISSION OF WAVELENGTH OPTO-ELECTRONIC(S) PTE LTD. IS PROHIBITED.**