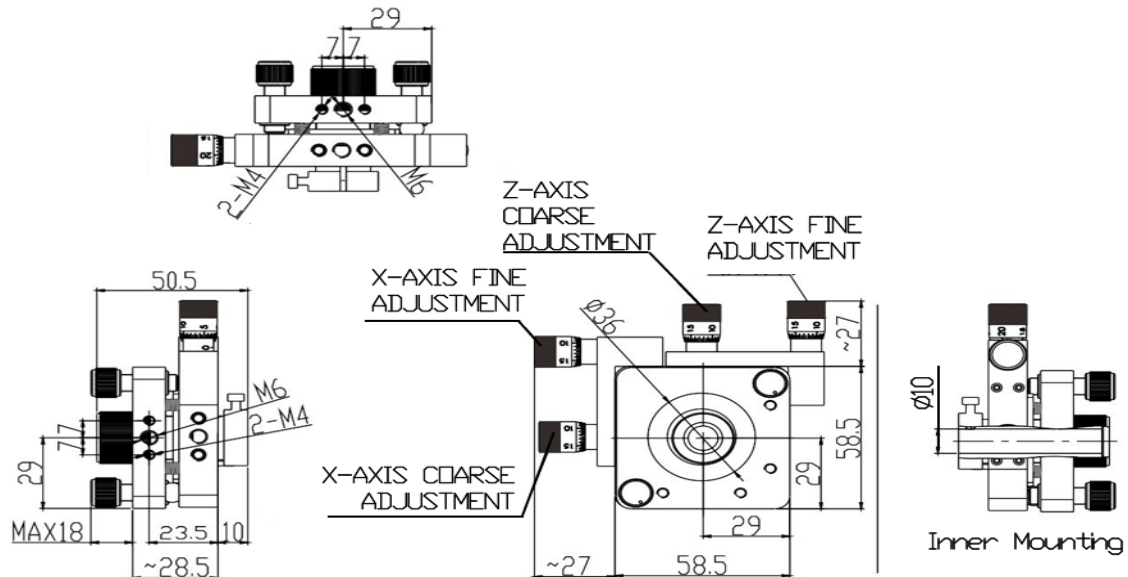


Optics Mount (5-Axis)

Part Number: OM-5-58F-H

Mechanical Drawing:



Technical Specifications:

Direction		X, Y and Z-Axis, and θX and θZ
Dimensions (mm)		58x58
Normal Adjustment Range	X, Y and Z (mm)	± 1.5
	θX and θZ	$\pm 2^\circ$
Normal Resolution	X and Z (mm)	0.002
	Y (mm)	0.003
	θX and θZ	0.002°
Ultra-fine Adjustment Range	X and Z (mm)	0.2
	θX and θZ	-
Ultra-fine Resolution	X and Z (μm)	0.2
	θX and θZ	-
Aperture (mm)		$\Phi 10$
Load Capacity (kg)		1
Weight (kg)		0.32
Remark		Micrometer. Direct installation of optical fibre

NOTE: PROPRIETARY AND CONFIDENTIAL THE INFORMATION CONTAINED IN THIS DRAWING IS THE SOLE PROPERTY OF WAVELENGTH OPTO-ELECTRONIC(S) PTE LTD. ANY REPRODUCTION INPART OR AS A WHOLE WITHOUT THE WRITTEN PERMISSION OF WAVELENGTH OPTO-ELECTRONIC(S) PTE LTD. IS PROHIBITED.