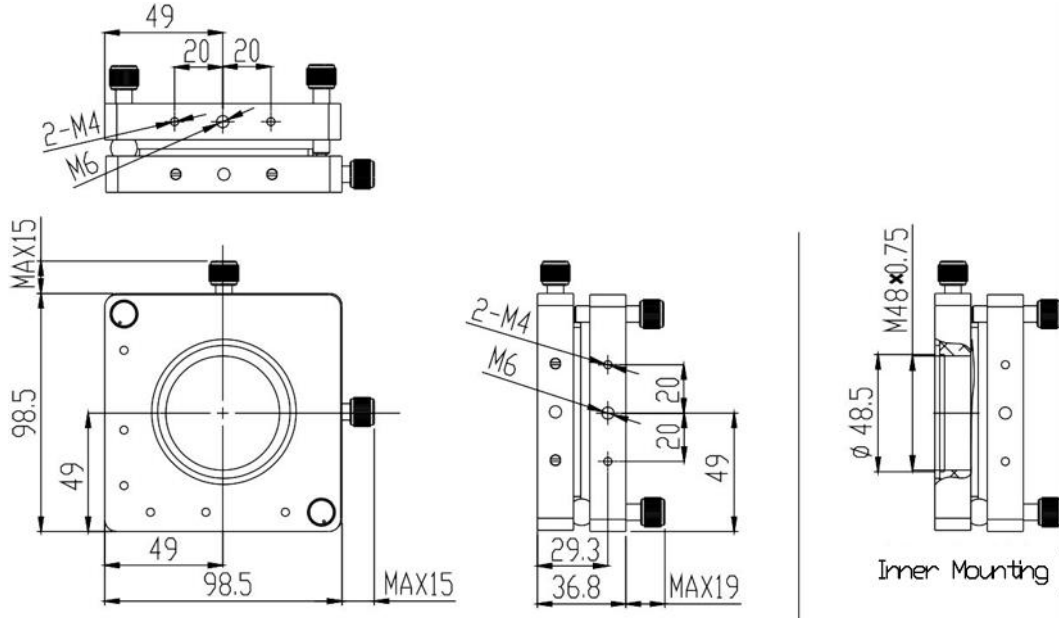


Optics Mount (4-Axis)

Part Number: OM-4-98

Mechanical Drawing:



Technical Specifications:

Direction		X and Z-Axis, and θX and θZ
Dimensions (mm)		98x98
Adjustment Range	X and Z (mm)	± 2
	θX and θZ	$\pm 1.5^\circ$
Resolution	X and Z (mm)	0.002
	θX and θZ	0.002°
Aperture (mm)		$\Phi 47$
Spare Port (mm)		M48x0.75
Load Capacity (kg)		1.5
Weight (kg)		0.48
Remark		M48x0.75 threaded port to connect lens, pinhole, etc. through adapter

NOTE: PROPRIETARY AND CONFIDENTIAL THE INFORMATION CONTAINED IN THIS DRAWING IS THE SOLE PROPERTY OF WAVELENGTH OPTO-ELECTRONIC(S) PTE LTD. ANY REPRODUCTION INPART OR AS A WHOLE WITHOUT THE WRITTEN PERMISSION OF WAVELENGTH OPTO-ELECTRONIC(S) PTE LTD. IS PROHIBITED.