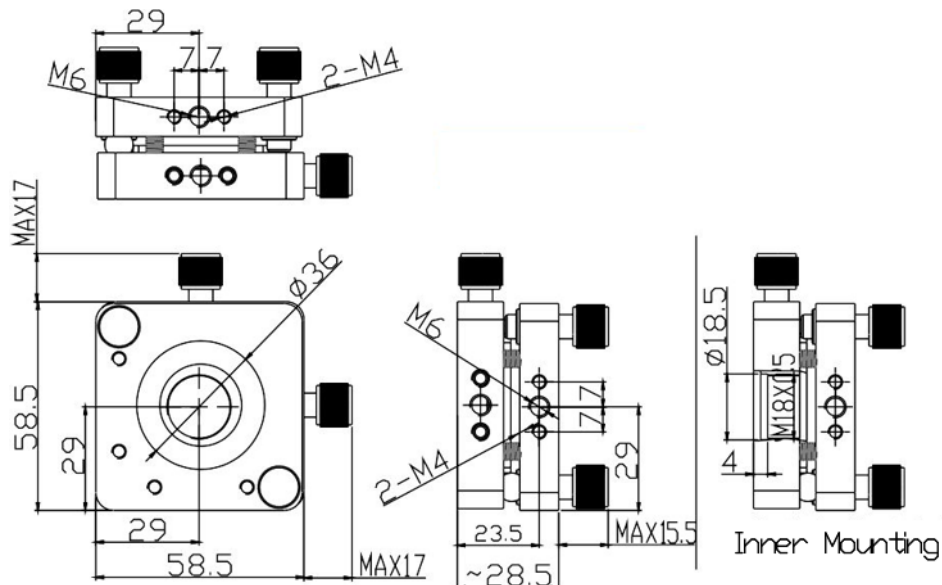


## Optics Mount (4-Axis)

Part Number: OM-4-58

Mechanical Drawing:



Technical Specifications:

Direction		X and Z-Axis, and $\theta X$ and $\theta Z$
Dimensions (mm)		58x58
Adjustment Range	X and Z (mm)	$\pm 1.5$
	$\theta X$ and $\theta Z$	$\pm 2^\circ$
Resolution	X and Z (mm)	0.002
	$\theta X$ and $\theta Z$	0.002°
Aperture (mm)		$\Phi 17.5$
Spare Port (mm)		M18x0.5
Load Capacity (kg)		1
Weight (kg)		0.19
Remark		M18x0.5 threaded port to connect lens, pinhole, etc. through adapter

**NOTE: PROPRIETARY AND CONFIDENTIAL THE INFORMATION CONTAINED IN THIS DRAWING IS THE SOLE PROPERTY OF WAVELENGTH OPTO-ELECTRONIC(S) PTE LTD. ANY REPRODUCTION INPART OR AS A WHOLE WITHOUT THE WRITTEN PERMISSION OF WAVELENGTH OPTO-ELECTRONIC(S) PTE LTD. IS PROHIBITED.**