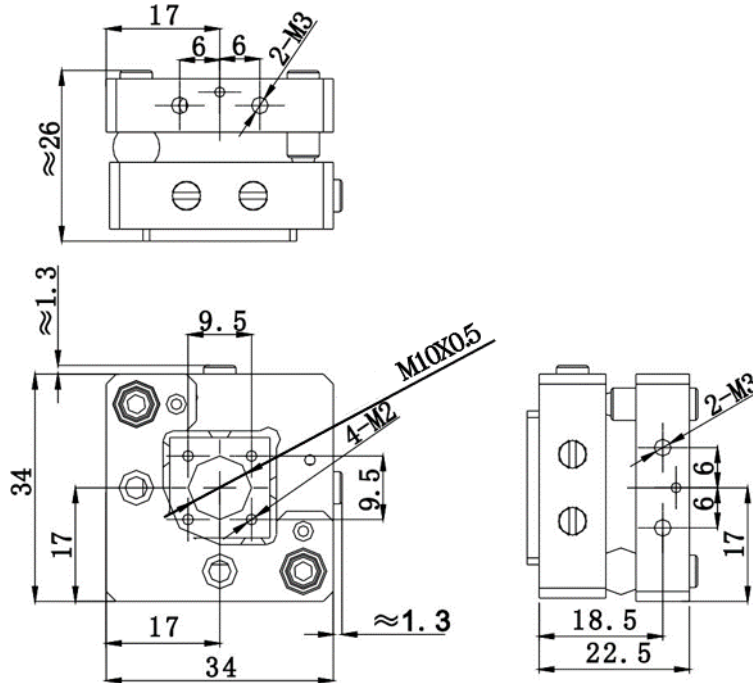


Optics Mount (4-Axis)

Part Number: OM-4-34L

Mechanical Drawing:



Technical Specifications:

Direction		X and Z-Axis, and θX and θZ
Dimensions (mm)		34x34
Adjustment Range	X and Z (mm)	± 1
	θX and θZ	$\pm 2.5^\circ$
Resolution	X and Z (mm)	0.003
	θX and θZ	0.002°
Aperture (mm)		$\Phi 9.5$
Spare Port (mm)		4-M2 connects to FC stand; M10.5x0.5
Load Capacity (kg)		0.4
Weight (kg)		0.05
Remark		Hex-Key Adjustment. Directly mounts FC stand to connect optical fibre.

NOTE: PROPRIETARY AND CONFIDENTIAL THE INFORMATION CONTAINED IN THIS DRAWING IS THE SOLE PROPERTY OF WAVELENGTH OPTO-ELECTRONIC(S) PTE LTD. ANY REPRODUCTION INPART OR AS A WHOLE WITHOUT THE WRITTEN PERMISSION OF WAVELENGTH OPTO-ELECTRONIC(S) PTE LTD. IS PROHIBITED.