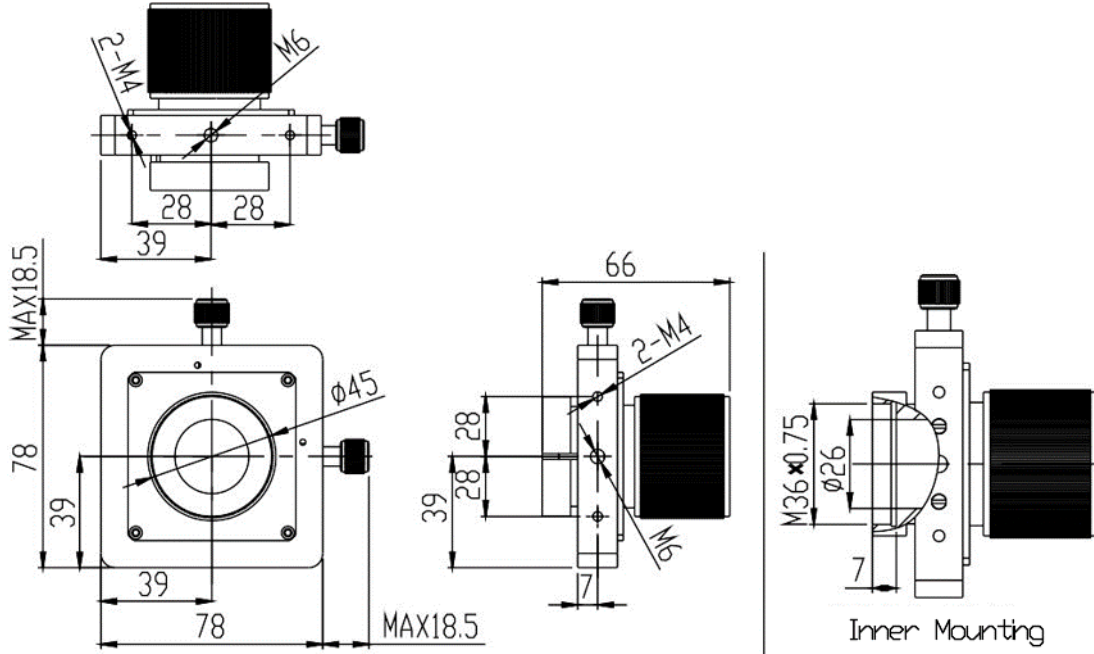


Optics Mount (3-Axis)

Part Number: OM-3-78

Mechanical Drawing:



Technical Specifications:

Direction	X, Y and Z-Axis	
Dimensions (mm)	78x78	
Adjustment Range (mm)	± 2.5	
Resolution (mm)	Y	0.003
	X and Z	0.001
Aperture (mm)	$\phi 26$	
Spare Port (mm)	M36x0.75	
Load Capacity (kg)	1.5	
Weight (kg)	0.25	
Remark	A variety of connectors can be used to mount lenses, optical fibre, etc.	

NOTE: PROPRIETARY AND CONFIDENTIAL THE INFORMATION CONTAINED IN THIS DRAWING IS THE SOLE PROPERTY OF WAVELENGTH OPTO-ELECTRONIC(S) PTE LTD. ANY REPRODUCTION INPART OR AS A WHOLE WITHOUT THE WRITTEN PERMISSION OF WAVELENGTH OPTO-ELECTRONIC(S) PTE LTD. IS PROHIBITED.