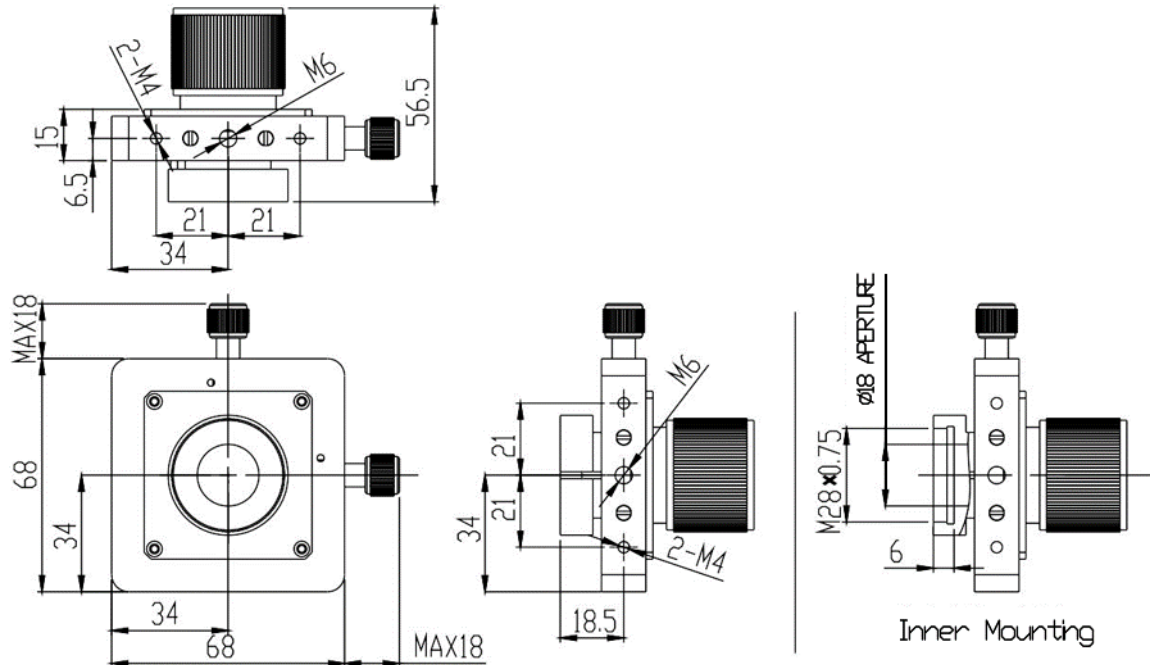


Optics Mount (3-Axis)

Part Number: OM-3-68

Mechanical Drawing:



Technical Specifications:

Direction		X, Y and Z-Axis
Dimensions (mm)		68x68
Adjustment Range (mm)		±2
Resolution (mm)	Y	0.003
	X and Z	0.001
Aperture (mm)		Φ17.5
Spare Port (mm)		M28x0.75
Load Capacity (kg)		1
Weight (kg)		0.22
Remark		A variety of connectors can be used to mount lenses, optical fibre, etc.

**NOTE: PROPRIETARY AND CONFIDENTIAL THE INFORMATION CONTAINED IN THIS DRAWING IS THE SOLE PROPERTY OF WAVELENGTH OPTO-ELECTRONIC(S) PTE LTD. ANY REPRODUCTION INPART OR AS A WHOLE WITHOUT THE WRITTEN PERMISSION OF WAVELENGTH OPTO-ELECTRONIC(S) PTE LTD. IS PROHIBITED.**