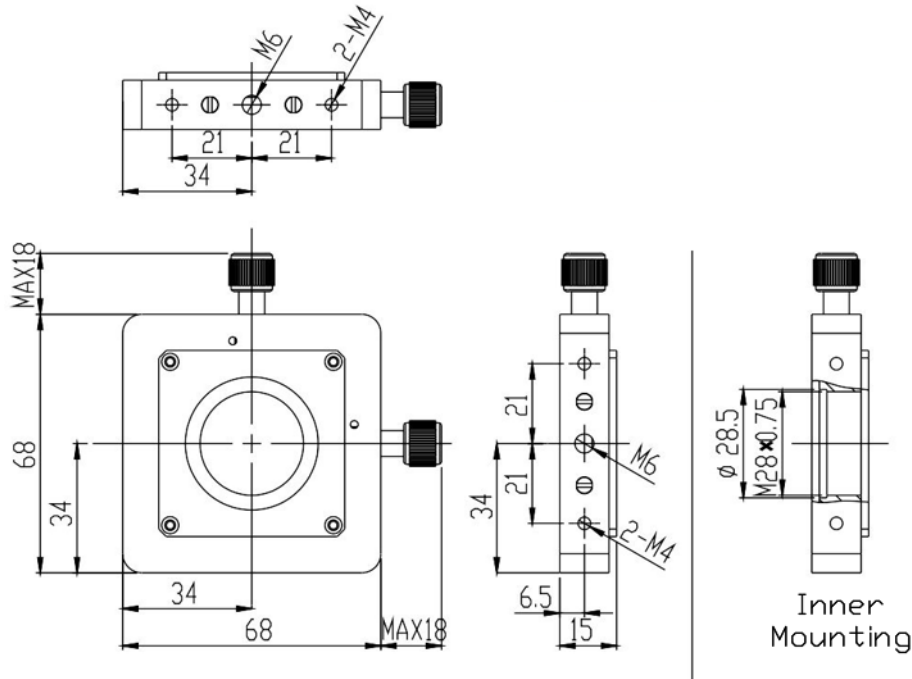


Optics Mount (2-Axis)

Part Number: OM-2-68

Mechanical Drawing:



Technical Specifications:

Direction	X and Z-Axis
Dimensions (mm)	68x68
Adjustment Range (mm)	±2
Resolution	0.001
Aperture (mm)	Φ27
Spare Port (mm)	M28x0.75
Load Capacity (kg)	1
Weight (kg)	0.18
Remark	Utilize lens barrel to mount lens, or use M28x0.75 screw to mount other devices

NOTE: PROPRIETARY AND CONFIDENTIAL THE INFORMATION CONTAINED IN THIS DRAWING IS THE SOLE PROPERTY OF WAVELENGTH OPTO-ELECTRONIC(S) PTE LTD. ANY REPRODUCTION INPART OR AS A WHOLE WITHOUT THE WRITTEN PERMISSION OF WAVELENGTH OPTO-ELECTRONIC(S) PTE LTD. IS PROHIBITED.