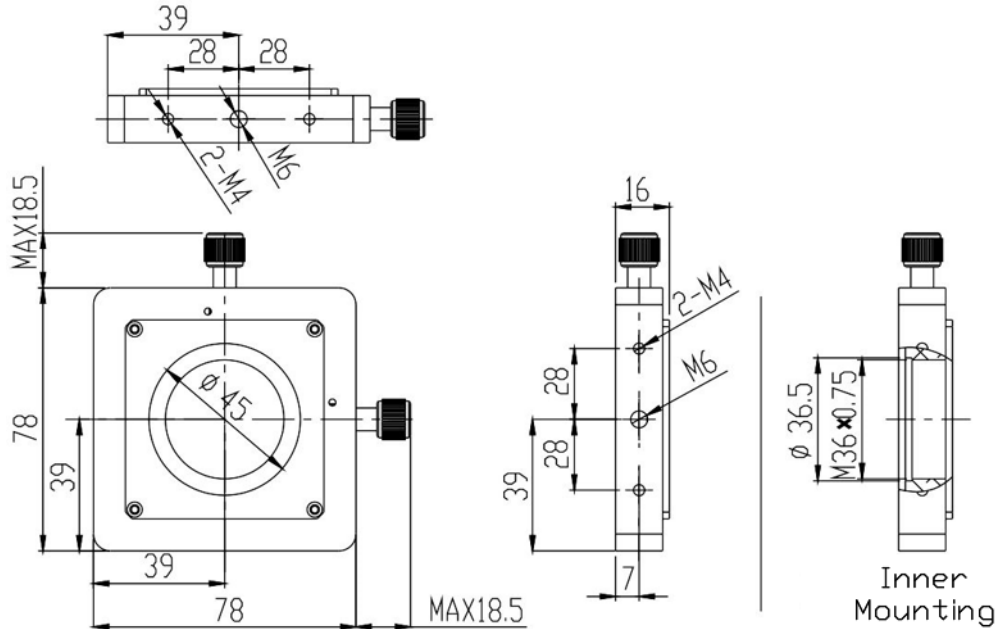


Optics Mount (2-Axis)

Part Number: OM-2-78

Mechanical Drawing:



Technical Specifications:

Direction	X and Z-Axis
Dimensions (mm)	78x78
Adjustment Range (mm)	$\pm 2.5$
Resolution	0.002
Aperture (mm)	$\phi 35$
Spare Port (mm)	M36x0.75
Load Capacity (kg)	1.5
Weight (kg)	0.2
Remark	Utilize lens barrel to mount lens, or use M36x0.75 screw to mount other devices

**NOTE: PROPRIETARY AND CONFIDENTIAL THE INFORMATION CONTAINED IN THIS DRAWING IS THE SOLE PROPERTY OF WAVELENGTH OPTO-ELECTRONIC(S) PTE LTD. ANY REPRODUCTION INPART OR AS A WHOLE WITHOUT THE WRITTEN PERMISSION OF WAVELENGTH OPTO-ELECTRONIC(S) PTE LTD. IS PROHIBITED.**