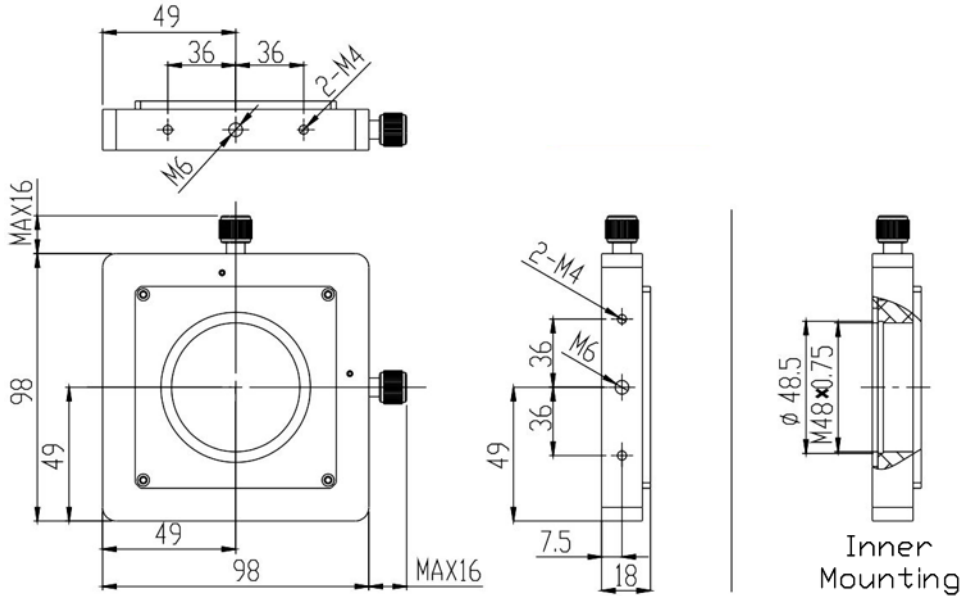


Optics Mount (2-Axis)

Part Number: OM-2-98

Mechanical Drawing:



Technical Specifications:

Direction	X and Z-Axis
Dimensions (mm)	98x98
Adjustment Range (mm)	±2.5
Resolution	0.002
Aperture (mm)	Φ47
Spare Port (mm)	M48x0.75
Load Capacity (kg)	1.5
Weight (kg)	0.32
Remark	Utilize lens barrel to mount lens, or use M48x0.75 screw to mount other devices

**NOTE: PROPRIETARY AND CONFIDENTIAL THE INFORMATION CONTAINED IN THIS DRAWING IS THE SOLE PROPERTY OF WAVELENGTH OPTO-ELECTRONIC(S) PTE LTD. ANY REPRODUCTION INPART OR AS A WHOLE WITHOUT THE WRITTEN PERMISSION OF WAVELENGTH OPTO-ELECTRONIC(S) PTE LTD. IS PROHIBITED.**