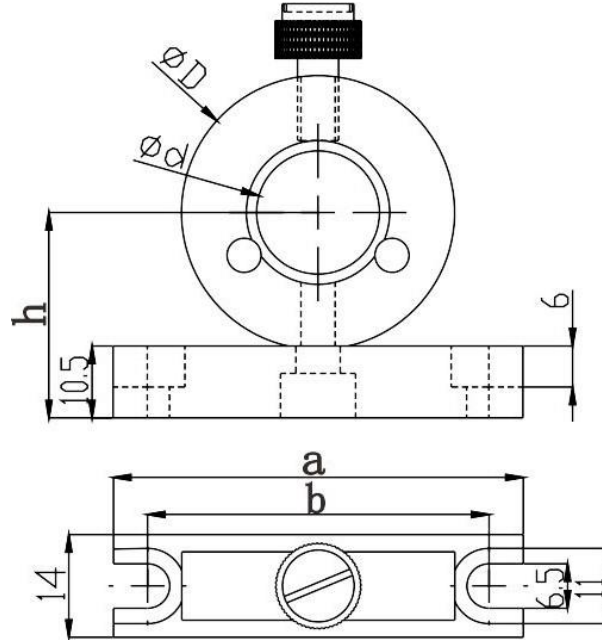


Lens Mounting Ring B-Series

Part Number: LMRB-50

Mechanical Drawing:



Technical Specifications:

Lens Diameter (mm)	$\Phi 50 / \Phi 50.8$
Outer Diameter, ΦD (mm)	$\Phi 70$
Aperture, Φd (mm)	$\Phi 48$
Height from base to centre of aperture, h (mm)	45
Length, a (mm)	85
Installation Distance, b (mm)	75

NOTE: PROPRIETARY AND CONFIDENTIAL THE INFORMATION CONTAINED IN THIS DRAWING IS THE SOLE PROPERTY OF WAVELENGTH OPTO-ELECTRONIC(S) PTE LTD. ANY REPRODUCTION INPART OR AS A WHOLE WITHOUT THE WRITTEN PERMISSION OF WAVELENGTH OPTO-ELECTRONIC(S) PTE LTD. IS PROHIBITED.