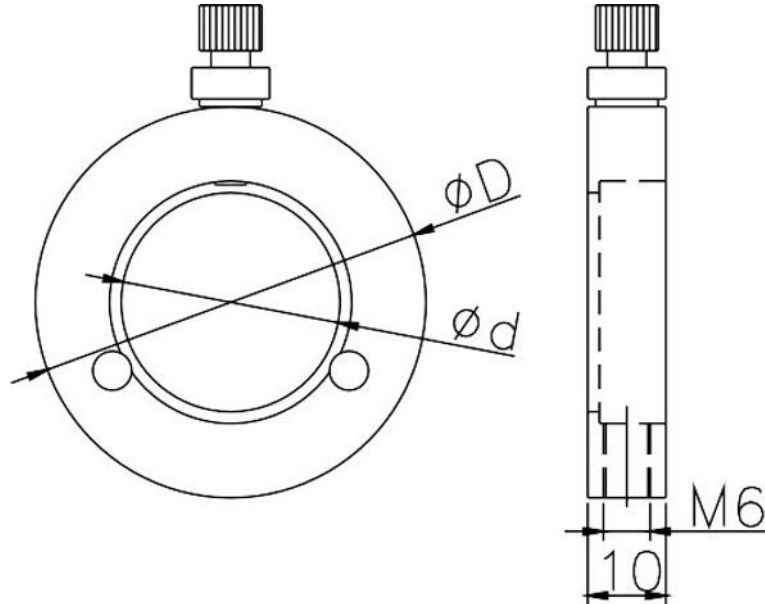


Lens Mounting Ring A-Series

Part Number: LMRA-30

Mechanical Drawing:



Technical Specifications:

Lens Diameter (mm)	$\Phi 30$
Outer Diameter, $\Phi D$ (mm)	$\Phi 50$
Aperture, $\Phi d$ (mm)	$\Phi 28$

**NOTE: PROPRIETARY AND CONFIDENTIAL THE INFORMATION CONTAINED IN THIS DRAWING IS THE SOLE PROPERTY OF WAVELENGTH OPTO-ELECTRONIC(S) PTE LTD. ANY REPRODUCTION INPART OR AS A WHOLE WITHOUT THE WRITTEN PERMISSION OF WAVELENGTH OPTO-ELECTRONIC(S) PTE LTD. IS PROHIBITED.**