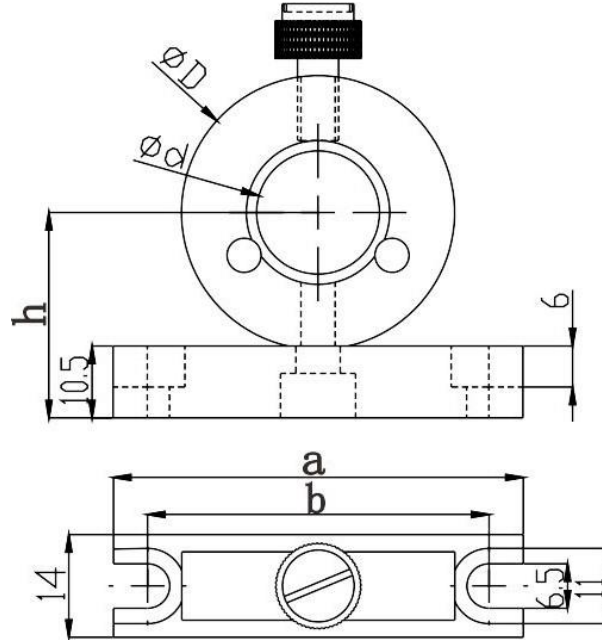


Lens Mounting Ring B-Series

Part Number: LMRB-25.4

Mechanical Drawing:



Technical Specifications:

| | |
|--|-----------------------|
| Lens Diameter (mm) | $\Phi 25 / \Phi 25.4$ |
| Outer Diameter, ΦD (mm) | $\Phi 45$ |
| Aperture, Φd (mm) | $\Phi 23$ |
| Height from base to centre of aperture, h (mm) | 32 |
| Length, a (mm) | 60 |
| Installation Distance, b (mm) | 50 |

NOTE: PROPRIETARY AND CONFIDENTIAL THE INFORMATION CONTAINED IN THIS DRAWING IS THE SOLE PROPERTY OF WAVELENGTH OPTO-ELECTRONIC(S) PTE LTD. ANY REPRODUCTION INPART OR AS A WHOLE WITHOUT THE WRITTEN PERMISSION OF WAVELENGTH OPTO-ELECTRONIC(S) PTE LTD. IS PROHIBITED.