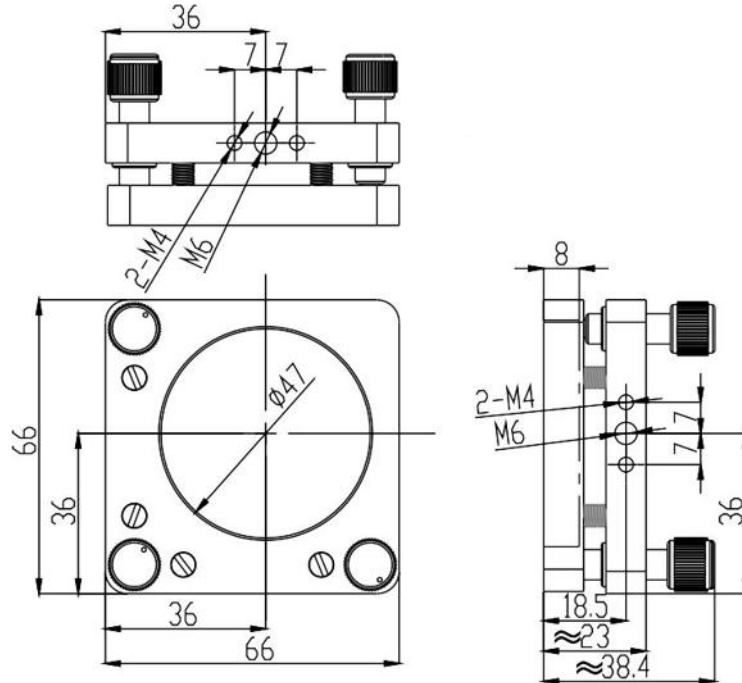


Lens Mount (3-Axis)

Part Number: LM-3-66-50.8

Mechanical Drawing:



Technical Specifications:

Direction		X, Y and Z-Axis
Dimensions (mm)		66x66
Dimensions of Lens (mm)		$\Phi 50.8$
Adjustment Range	Y (mm)	± 1.5
	X and Z	$\pm 1.5^\circ$
Resolution	Y (mm)	0.001
	X and Z	0.002°
Lens Installation Method		Pressure Ring

NOTE: PROPRIETARY AND CONFIDENTIAL THE INFORMATION CONTAINED IN THIS DRAWING IS THE SOLE PROPERTY OF WAVELENGTH OPTO-ELECTRONIC(S) PTE LTD. ANY REPRODUCTION INPART OR AS A WHOLE WITHOUT THE WRITTEN PERMISSION OF WAVELENGTH OPTO-ELECTRONIC(S) PTE LTD. IS PROHIBITED.