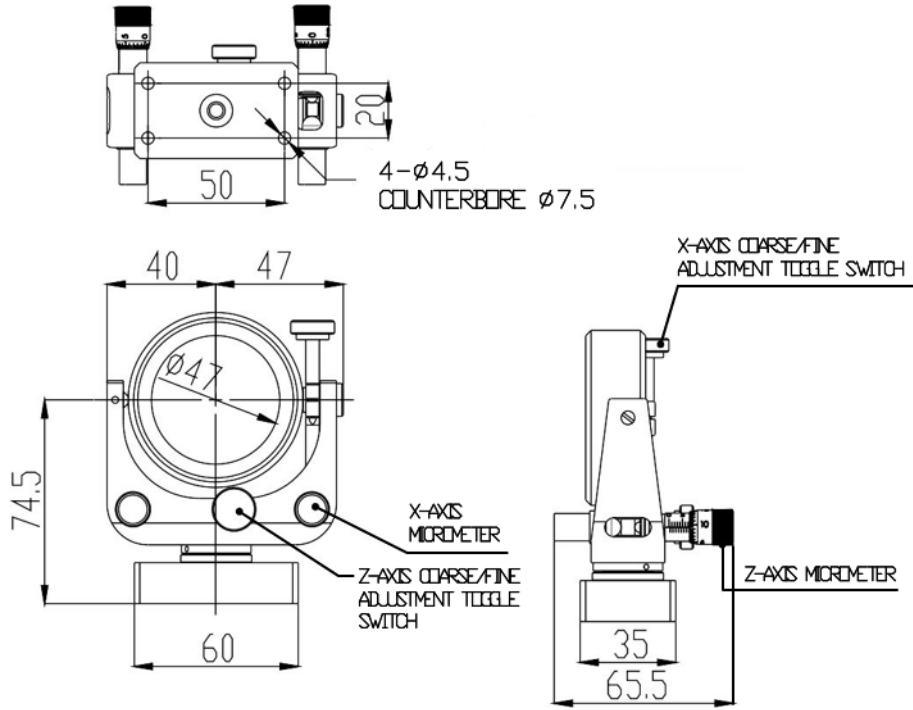


Lens Mount (2-Axis) F-Series

Part Number: LM-2F-50

Mechanical Drawing:



Technical Specifications:

Direction		X and Z-Axis	
Dimensions of Lens (mm)		$\phi$ 50	
Adjustment Range	Coarse		360°
	Fine	X-Axis	$\pm$ 3.5°
		Z-Axis	$\pm$ 3.5°
Resolution		0.005°	
Weight (kg)		0.42	

**NOTE: PROPRIETARY AND CONFIDENTIAL THE INFORMATION CONTAINED IN THIS DRAWING IS THE SOLE PROPERTY OF WAVELENGTH OPTO-ELECTRONIC(S) PTE LTD. ANY REPRODUCTION INPART OR AS A WHOLE WITHOUT THE WRITTEN PERMISSION OF WAVELENGTH OPTO-ELECTRONIC(S) PTE LTD. IS PROHIBITED.**