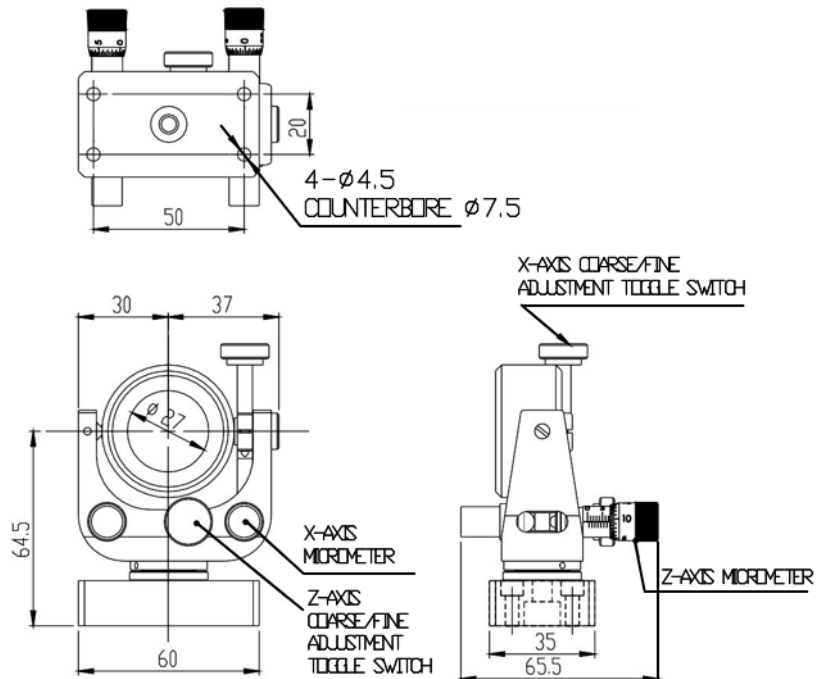


Lens Mount (2-Axis) F-Series

Part Number: LM-2F-30

Mechanical Drawing:



Technical Specifications:

Direction		X and Z-Axis	
Dimensions of Lens (mm)		Φ30	
Adjustment Range	Coarse		360°
	Fine	X-Axis	±3.5°
		Z-Axis	±3.5°
Resolution		0.005°	
Weight (kg)		0.34	

NOTE: PROPRIETARY AND CONFIDENTIAL THE INFORMATION CONTAINED IN THIS DRAWING IS THE SOLE PROPERTY OF WAVELENGTH OPTO-ELECTRONIC(S) PTE LTD. ANY REPRODUCTION INPART OR AS A WHOLE WITHOUT THE WRITTEN PERMISSION OF WAVELENGTH OPTO-ELECTRONIC(S) PTE LTD. IS PROHIBITED.