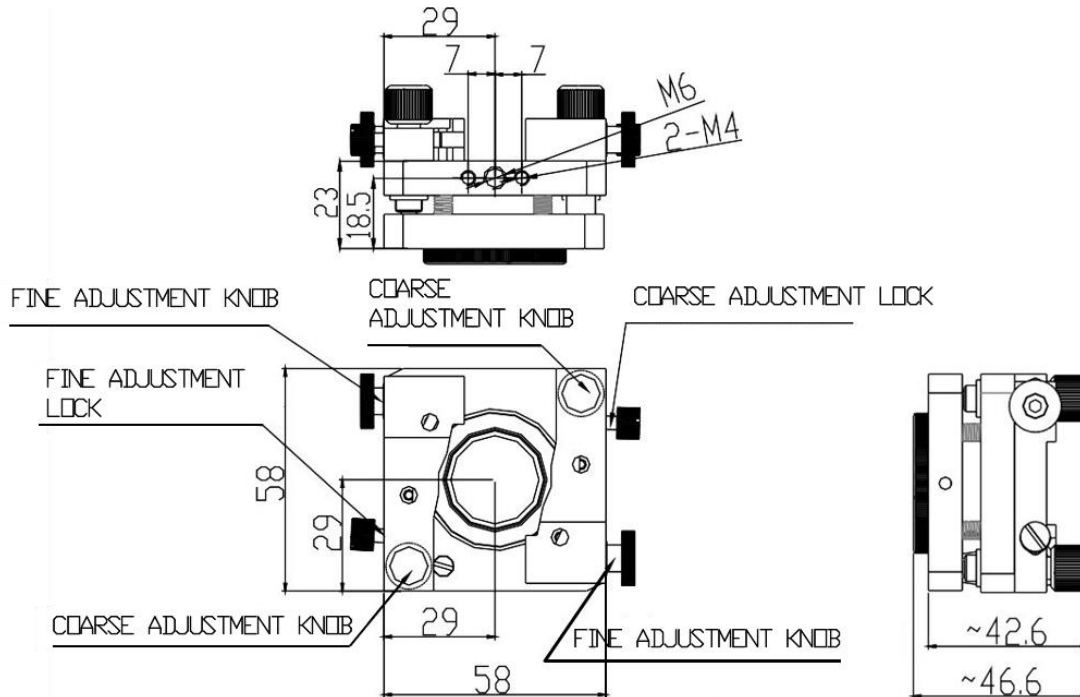


Lens Mount (2-Axis) E-Series

Part Number: LM-2E-58-J

Mechanical Drawing:



Technical Specifications:

Direction	X and Z-Axis	
Dimensions (mm)	58x58	
Dimensions of Lens (mm)	Φ10 – Φ30	
Adjustment Range	Coarse	±2.5°
	Fine	±0.36'
Resolution	Coarse	0.002°
	Fine	0.036"
Remark	<p>IMPORTANT: Release fine adjustment lock when adjusting coarse knob or risk damaging the fine adjustment structure. When adjusting fine adjustment knob, ensure fine adjustment lock is locked or there will be no effect.</p>	

NOTE: PROPRIETARY AND CONFIDENTIAL THE INFORMATION CONTAINED IN THIS DRAWING IS THE SOLE PROPERTY OF WAVELENGTH OPTO-ELECTRONIC(S) PTE LTD. ANY REPRODUCTION INPART OR AS A WHOLE WITHOUT THE WRITTEN PERMISSION OF WAVELENGTH OPTO-ELECTRONIC(S) PTE LTD. IS PROHIBITED.