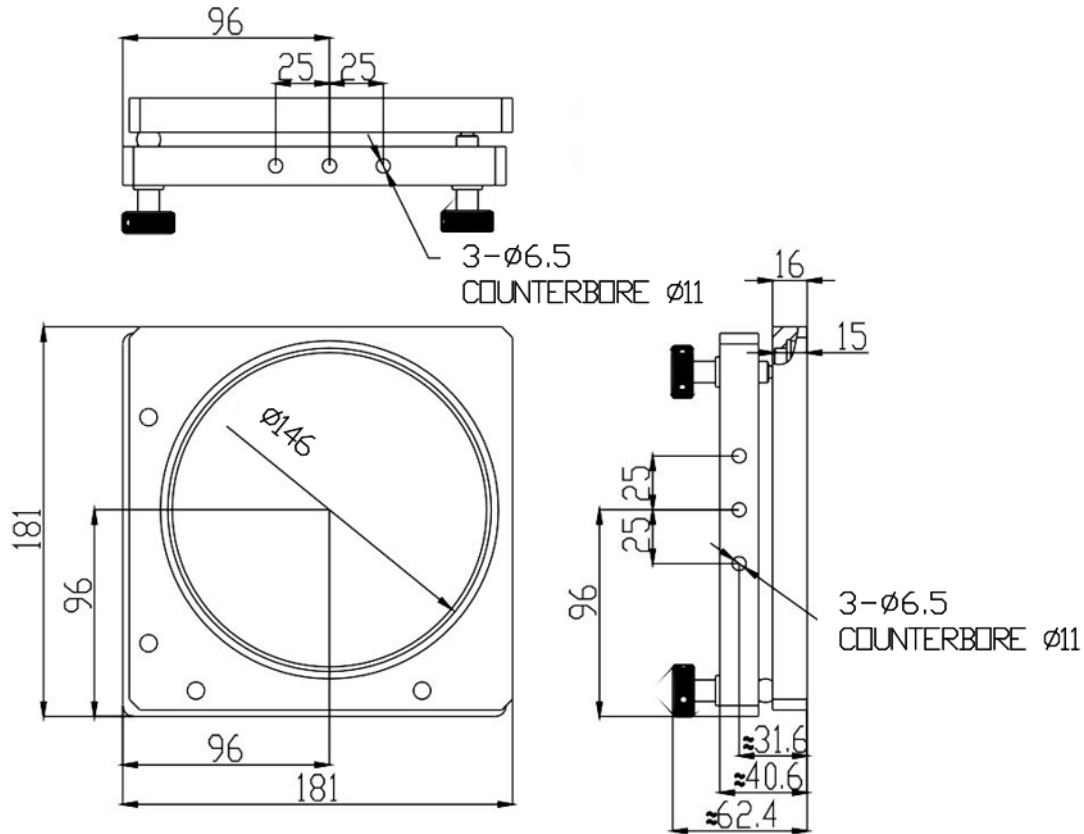


Lens Mount (2-Axis) D-Series

Part Number: LM-2D-179-150

Mechanical Drawing:



Technical Specifications:

Direction	X and Z-Axis
Dimensions (mm)	179x179
Dimensions of Lens (mm)	$\Phi 150 \times 4 \sim 12$
Adjustment Range	$\pm 1.5^\circ$
Resolution	0.001°
Aperture (mm)	$\Phi 146$

NOTE: PROPRIETARY AND CONFIDENTIAL THE INFORMATION CONTAINED IN THIS DRAWING IS THE SOLE PROPERTY OF WAVELENGTH OPTO-ELECTRONIC(S) PTE LTD. ANY REPRODUCTION INPART OR AS A WHOLE WITHOUT THE WRITTEN PERMISSION OF WAVELENGTH OPTO-ELECTRONIC(S) PTE LTD. IS PROHIBITED.