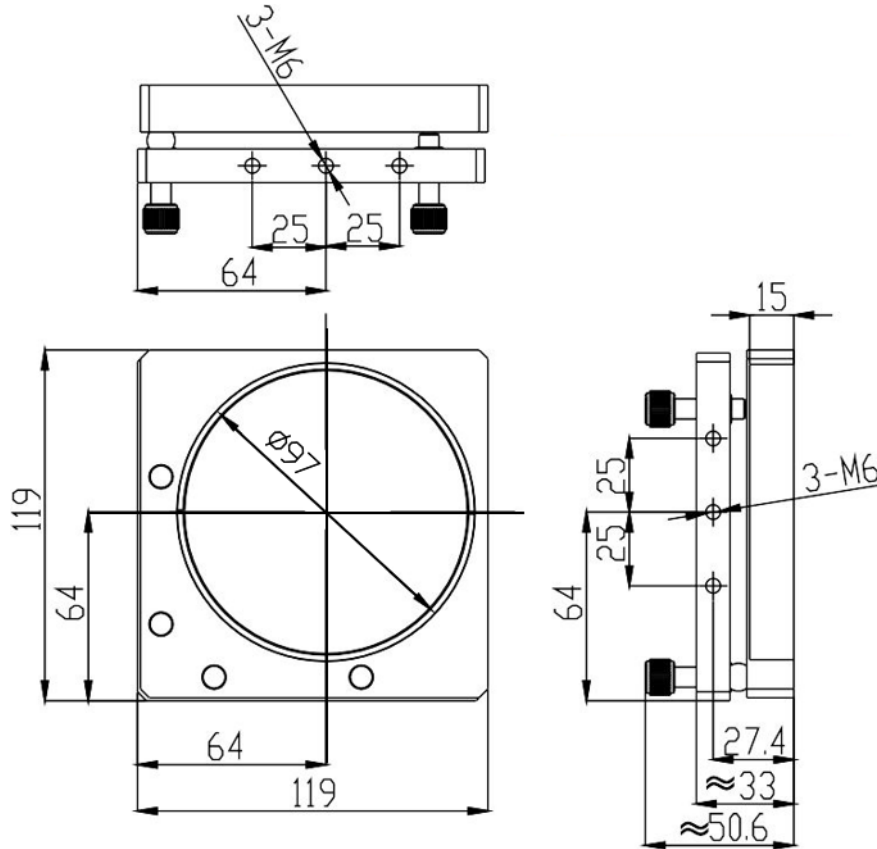


Lens Mount (2-Axis) D-Series

Part Number: LM-2D-119-100

Mechanical Drawing:



Technical Specifications:

Direction	X and Z-Axis
Dimensions (mm)	119x119
Dimensions of Lens (mm)	$\phi 100 \times 4 \sim 12$
Adjustment Range	$\pm 1.5^\circ$
Resolution	$0.001^\circ$
Aperture (mm)	$\phi 97$

**NOTE: PROPRIETARY AND CONFIDENTIAL THE INFORMATION CONTAINED IN THIS DRAWING IS THE SOLE PROPERTY OF WAVELENGTH OPTO-ELECTRONIC(S) PTE LTD. ANY REPRODUCTION INPART OR AS A WHOLE WITHOUT THE WRITTEN PERMISSION OF WAVELENGTH OPTO-ELECTRONIC(S) PTE LTD. IS PROHIBITED.**