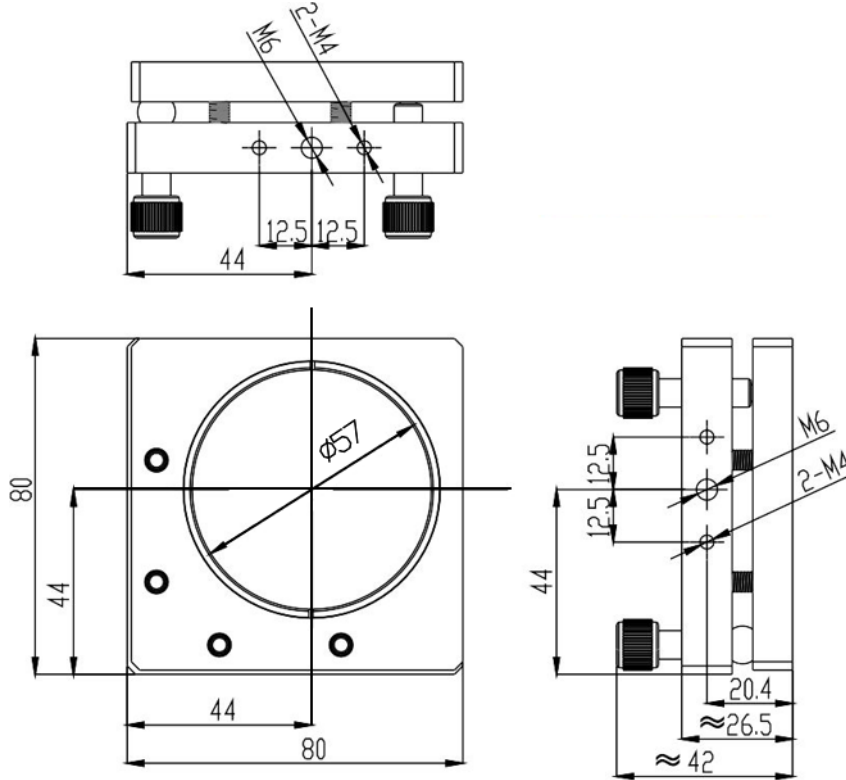


Lens Mount (2-Axis) D-Series

Part Number: LM-2D-80-60

Mechanical Drawing:



Technical Specifications:

Direction	X and Z-Axis
Dimensions (mm)	80x80
Dimensions of Lens (mm)	Φ60x3~10
Adjustment Range	±2°
Resolution	0.002°
Aperture (mm)	Φ57

NOTE: PROPRIETARY AND CONFIDENTIAL THE INFORMATION CONTAINED IN THIS DRAWING IS THE SOLE PROPERTY OF WAVELENGTH OPTO-ELECTRONIC(S) PTE LTD. ANY REPRODUCTION INPART OR AS A WHOLE WITHOUT THE WRITTEN PERMISSION OF WAVELENGTH OPTO-ELECTRONIC(S) PTE LTD. IS PROHIBITED.