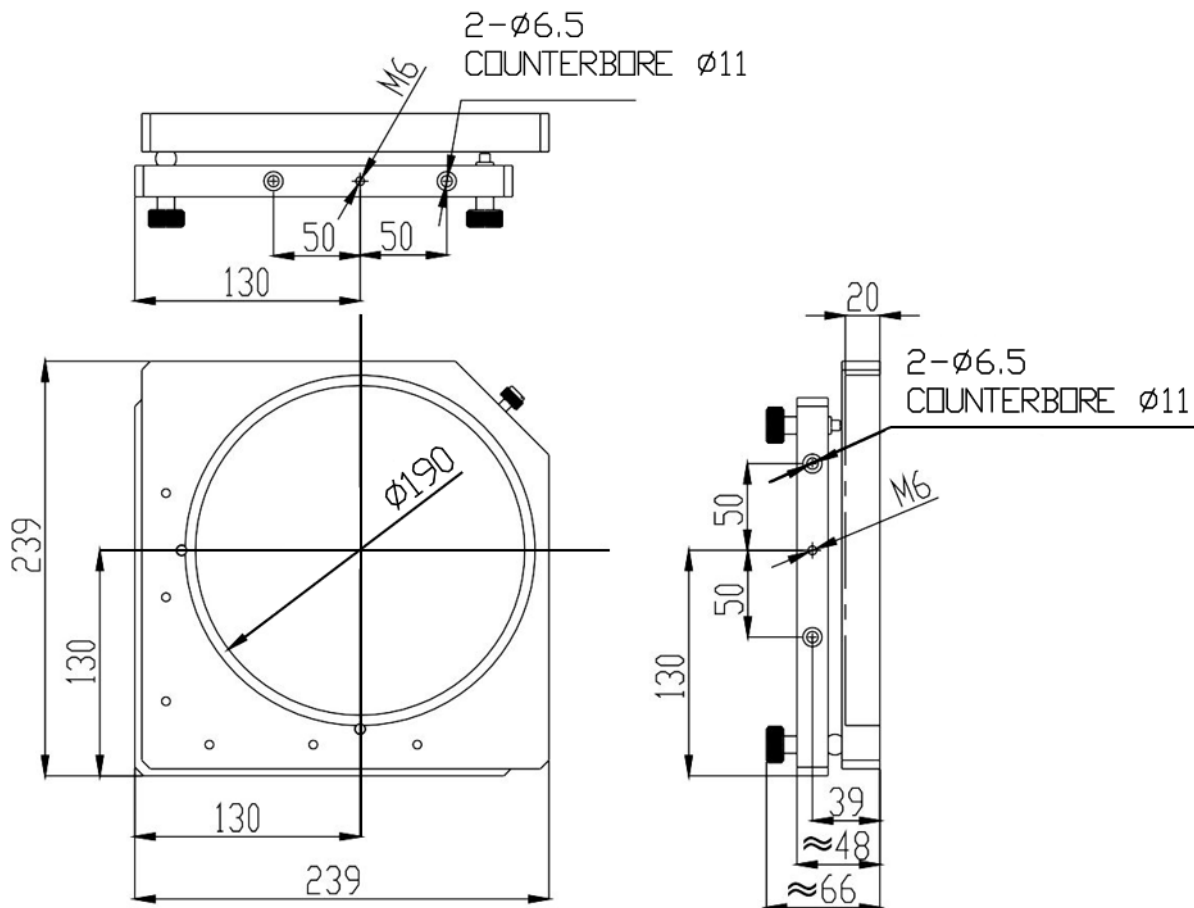


Lens Mount (2-Axis) B-Series

Part Number: LM-2B-239-200

Mechanical Drawing:



Technical Specifications:

Direction	X and Z-Axis
Dimensions (mm)	239x239
Dimensions of Lens (mm)	ϕ 200
Adjustment Range	$\pm 1.5^\circ$
Resolution	0.001°
Aperture, ϕ d (mm)	ϕ 190
Height from base to centre, h (mm)	130

NOTE: PROPRIETARY AND CONFIDENTIAL THE INFORMATION CONTAINED IN THIS DRAWING IS THE SOLE PROPERTY OF WAVELENGTH OPTO-ELECTRONIC(S) PTE LTD. ANY REPRODUCTION INPART OR AS A WHOLE WITHOUT THE WRITTEN PERMISSION OF WAVELENGTH OPTO-ELECTRONIC(S) PTE LTD. IS PROHIBITED.