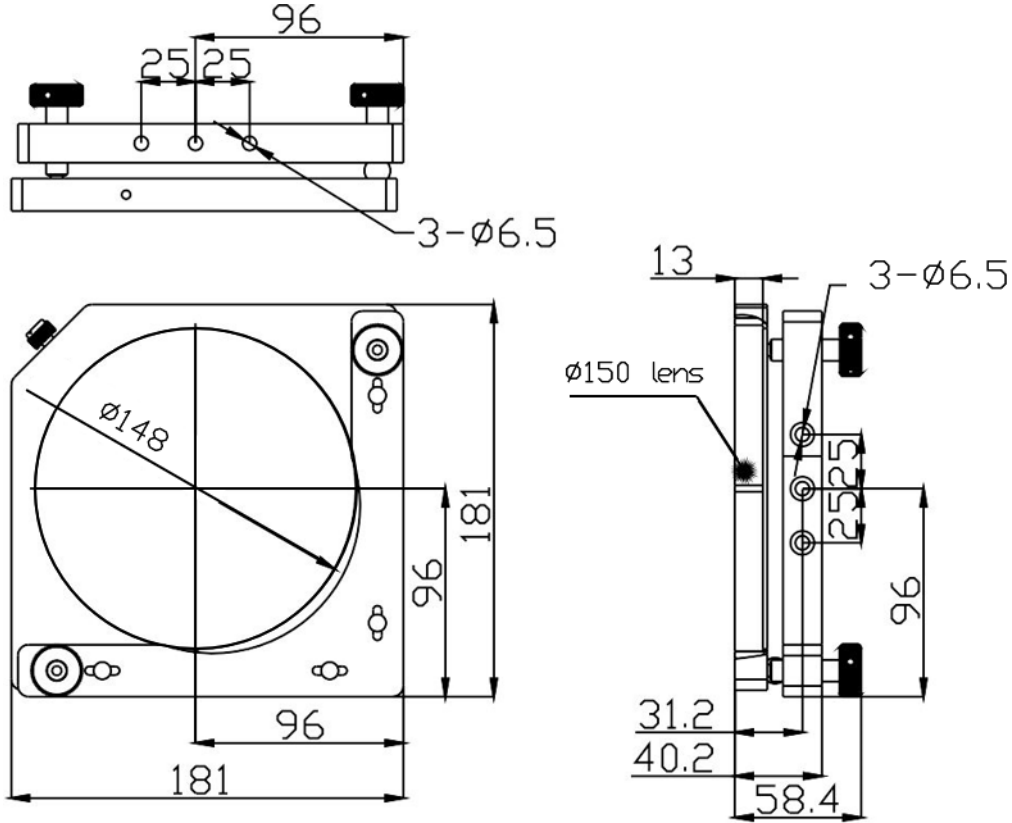


Lens Mount (2-Axis) B-Series

Part Number: LM-2B-172-150

Mechanical Drawing:



Technical Specifications:

Direction	X and Z-Axis
Dimensions (mm)	172x172
Dimensions of Lens (mm)	$\phi 150 \times 4 \sim 15$
Adjustment Range	$\pm 1.5^\circ$
Resolution	0.001°
Aperture, ϕd (mm)	$\phi 146$
Height from base to centre, h (mm)	96

NOTE: PROPRIETARY AND CONFIDENTIAL THE INFORMATION CONTAINED IN THIS DRAWING IS THE SOLE PROPERTY OF WAVELENGTH OPTO-ELECTRONIC(S) PTE LTD. ANY REPRODUCTION INPART OR AS A WHOLE WITHOUT THE WRITTEN PERMISSION OF WAVELENGTH OPTO-ELECTRONIC(S) PTE LTD. IS PROHIBITED.