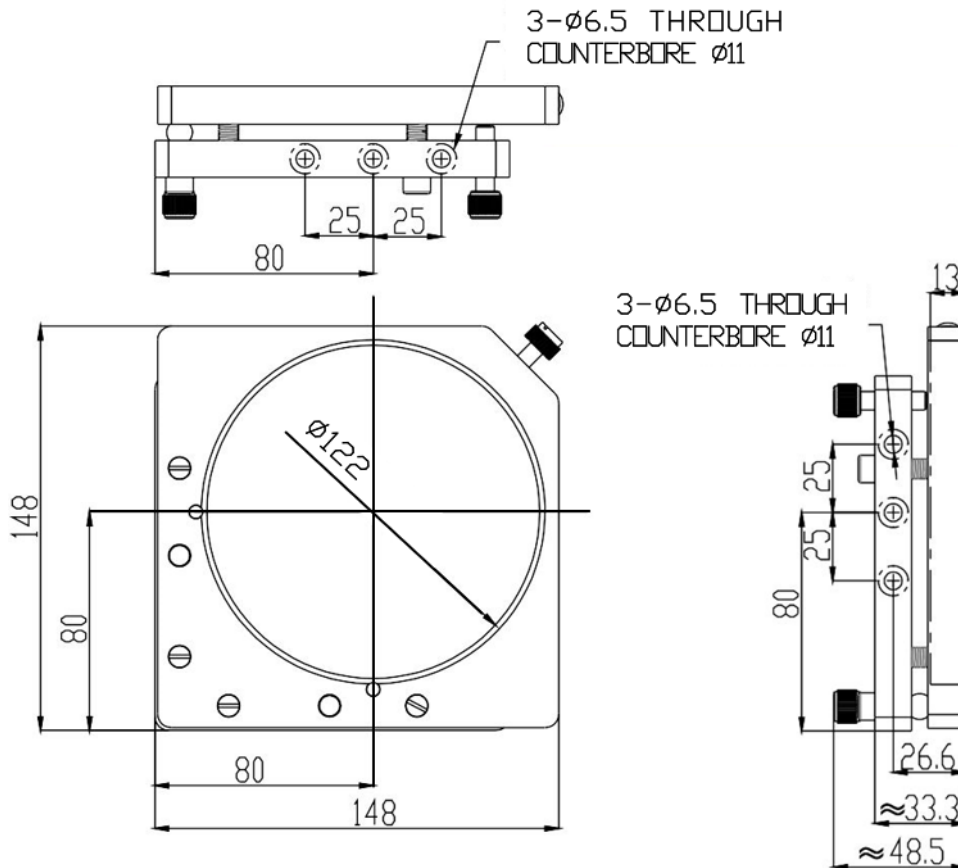


Lens Mount (2-Axis) B-Series

Part Number: LM-2B-148-125

Mechanical Drawing:



Technical Specifications:

Direction	X and Z-Axis
Dimensions (mm)	148x148
Dimensions of Lens (mm)	ϕ 125x4~15
Adjustment Range	\pm 1.5°
Resolution	0.001°
Aperture, ϕ d (mm)	ϕ 122
Height from base to centre, h (mm)	80

NOTE: PROPRIETARY AND CONFIDENTIAL THE INFORMATION CONTAINED IN THIS DRAWING IS THE SOLE PROPERTY OF WAVELENGTH OPTO-ELECTRONIC(S) PTE LTD. ANY REPRODUCTION INPART OR AS A WHOLE WITHOUT THE WRITTEN PERMISSION OF WAVELENGTH OPTO-ELECTRONIC(S) PTE LTD. IS PROHIBITED.