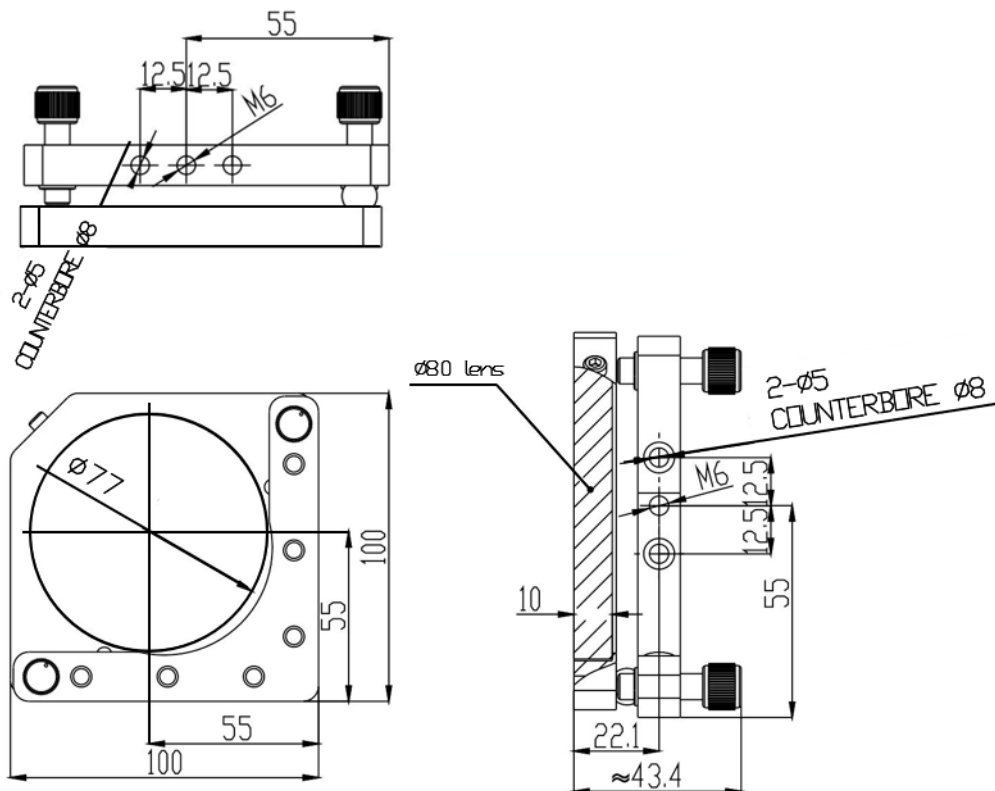


## Lens Mount (2-Axis) B-Series

Part Number: LM-2B-99-80

Mechanical Drawing:



Technical Specifications:

Direction	X and Z-Axis
Dimensions (mm)	99x99
Dimensions of Lens (mm)	Φ80x3~12
Adjustment Range	±2°
Resolution	0.001°
Aperture, Φd (mm)	Φ77
Height from base to centre, h (mm)	55

**NOTE: PROPRIETARY AND CONFIDENTIAL THE INFORMATION CONTAINED IN THIS DRAWING IS THE SOLE PROPERTY OF WAVELENGTH OPTO-ELECTRONIC(S) PTE LTD. ANY REPRODUCTION INPART OR AS A WHOLE WITHOUT THE WRITTEN PERMISSION OF WAVELENGTH OPTO-ELECTRONIC(S) PTE LTD. IS PROHIBITED.**