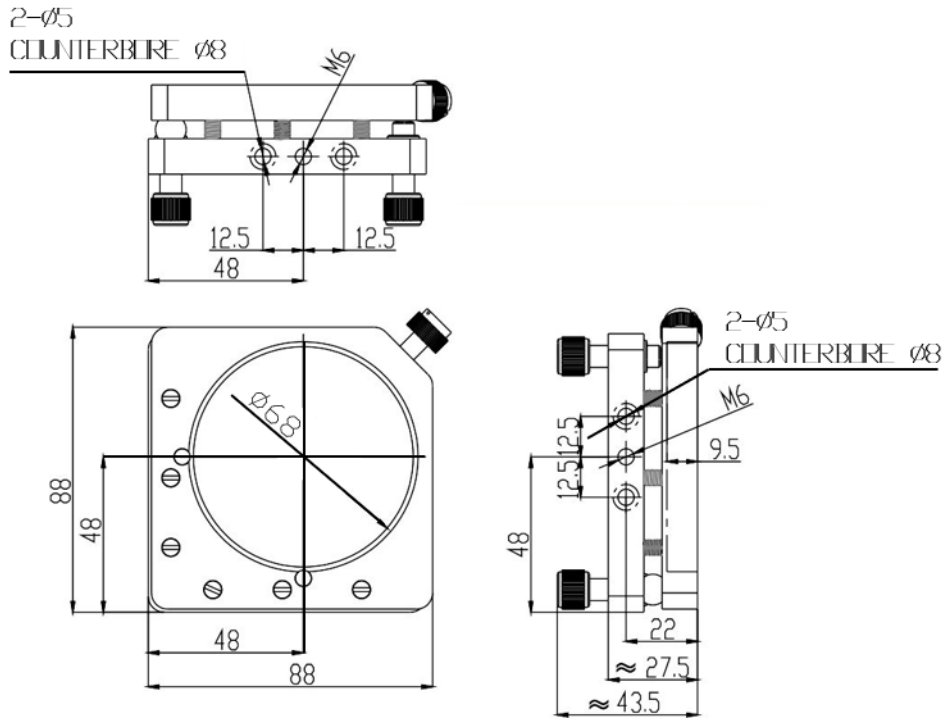


Lens Mount (2-Axis) B-Series

Part Number: LM-2B-88-70

Mechanical Drawing:



Technical Specifications:

Direction	X and Z-Axis
Dimensions (mm)	88x88
Dimensions of Lens (mm)	$\Phi 70 \times 3 \sim 12$
Adjustment Range	$\pm 2^\circ$
Resolution	0.002°
Aperture, Φd (mm)	$\Phi 68$
Height from base to centre, h (mm)	48

NOTE: PROPRIETARY AND CONFIDENTIAL THE INFORMATION CONTAINED IN THIS DRAWING IS THE SOLE PROPERTY OF WAVELENGTH OPTO-ELECTRONIC(S) PTE LTD. ANY REPRODUCTION INPART OR AS A WHOLE WITHOUT THE WRITTEN PERMISSION OF WAVELENGTH OPTO-ELECTRONIC(S) PTE LTD. IS PROHIBITED.