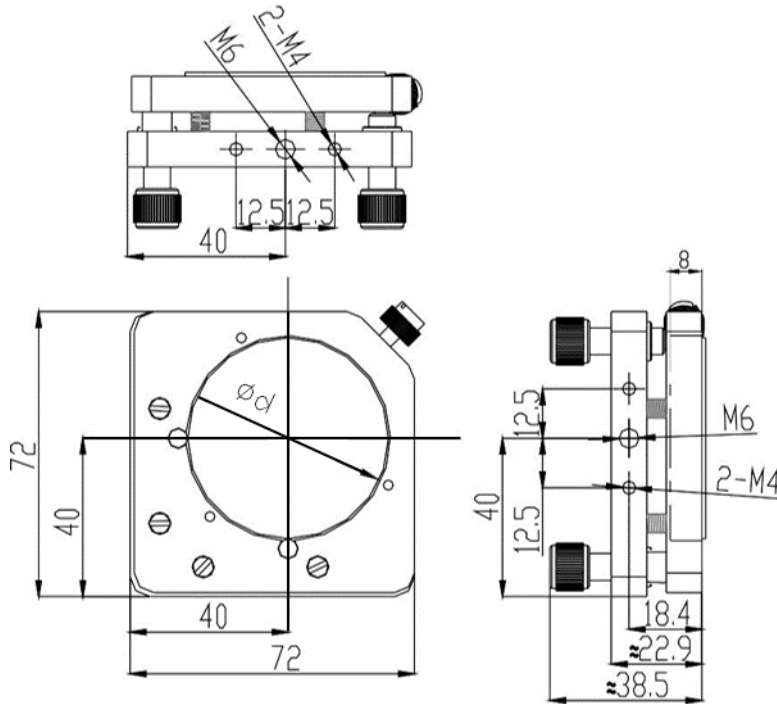


Lens Mount (2-Axis) B-Series

Part Number: LM-2B-72-50.8

Mechanical Drawing:



Technical Specifications:

Direction	X and Z-Axis
Dimensions (mm)	72x72
Dimensions of Lens (mm)	Φ50.8x2~10
Adjustment Range	±2.5°
Resolution	0.002°
Aperture, Φd (mm)	Φ48
Height from base to centre, h (mm)	40

NOTE: PROPRIETARY AND CONFIDENTIAL THE INFORMATION CONTAINED IN THIS DRAWING IS THE SOLE PROPERTY OF WAVELENGTH OPTO-ELECTRONIC(S) PTE LTD. ANY REPRODUCTION INPART OR AS A WHOLE WITHOUT THE WRITTEN PERMISSION OF WAVELENGTH OPTO-ELECTRONIC(S) PTE LTD. IS PROHIBITED.