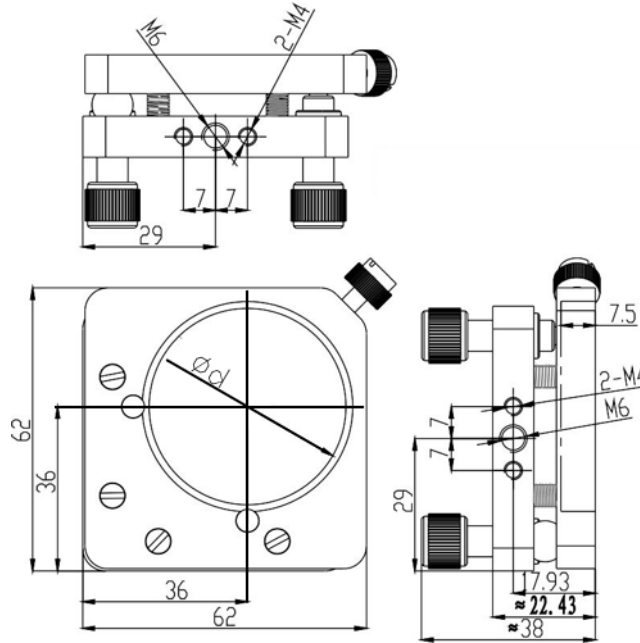


Lens Mount (2-Axis) B-Series

Part Number: LM-2B-62-45

Mechanical Drawing:



Technical Specifications:

Direction	X and Z-Axis
Dimensions (mm)	62x62
Dimensions of Lens (mm)	$\Phi 45 \times 2 \sim 8$
Adjustment Range	$\pm 2.5^\circ$
Resolution	0.002°
Aperture, Φd (mm)	$\Phi 43$
Height from base to centre, h (mm)	36

NOTE: PROPRIETARY AND CONFIDENTIAL THE INFORMATION CONTAINED IN THIS DRAWING IS THE SOLE PROPERTY OF WAVELENGTH OPTO-ELECTRONIC(S) PTE LTD. ANY REPRODUCTION INPART OR AS A WHOLE WITHOUT THE WRITTEN PERMISSION OF WAVELENGTH OPTO-ELECTRONIC(S) PTE LTD. IS PROHIBITED.