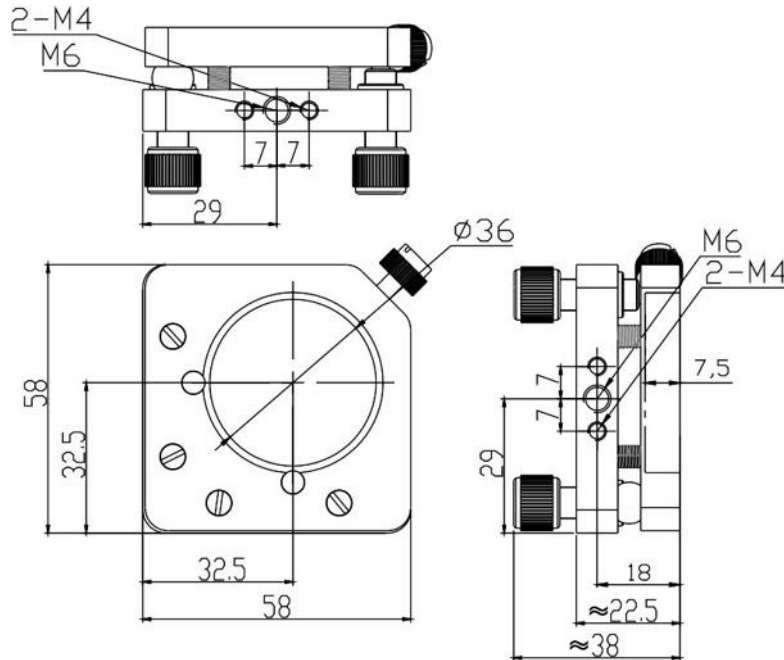


Lens Mount (2-Axis) B-Series

Part Number: LM-2B-58-38.1

Mechanical Drawing:



Technical Specifications:

Direction	X and Z-Axis
Dimensions (mm)	58x58
Dimensions of Lens (mm)	Φ38.1x2~8
Adjustment Range	±2.5°
Resolution	0.003°
Aperture, Φd (mm)	Φ36
Height from base to centre, h (mm)	32.5

NOTE: PROPRIETARY AND CONFIDENTIAL THE INFORMATION CONTAINED IN THIS DRAWING IS THE SOLE PROPERTY OF WAVELENGTH OPTO-ELECTRONIC(S) PTE LTD. ANY REPRODUCTION INPART OR AS A WHOLE WITHOUT THE WRITTEN PERMISSION OF WAVELENGTH OPTO-ELECTRONIC(S) PTE LTD. IS PROHIBITED.