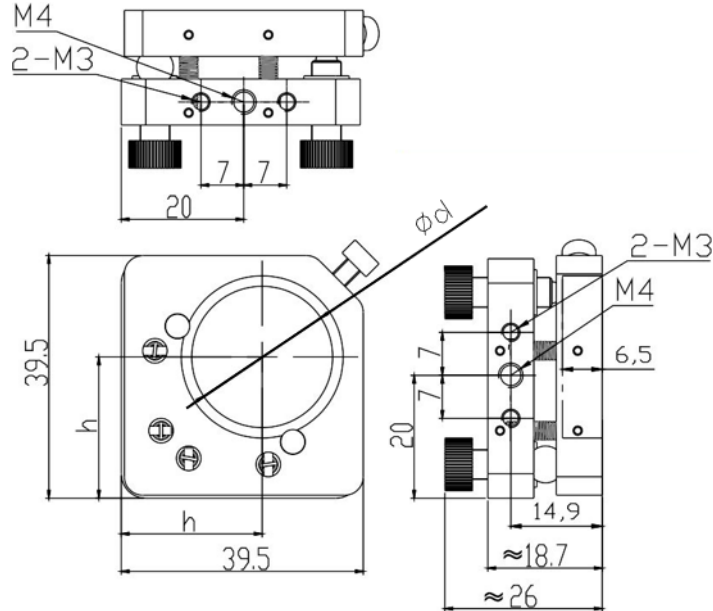


Lens Mount (2-Axis) B-Series

Part Number: LM-2B-40-20

Mechanical Drawing:



Technical Specifications:

Direction	X and Z-Axis
Dimensions (mm)	40x40
Dimensions of Lens (mm)	$\Phi 20 \times 2 \sim 8$
Adjustment Range	$\pm 3^\circ$
Resolution	$0.003^\circ$
Aperture, $\Phi d$ (mm)	$\Phi 18$
Height from base to centre, h (mm)	20

**NOTE: PROPRIETARY AND CONFIDENTIAL THE INFORMATION CONTAINED IN THIS DRAWING IS THE SOLE PROPERTY OF WAVELENGTH OPTO-ELECTRONIC(S) PTE LTD. ANY REPRODUCTION INPART OR AS A WHOLE WITHOUT THE WRITTEN PERMISSION OF WAVELENGTH OPTO-ELECTRONIC(S) PTE LTD. IS PROHIBITED.**