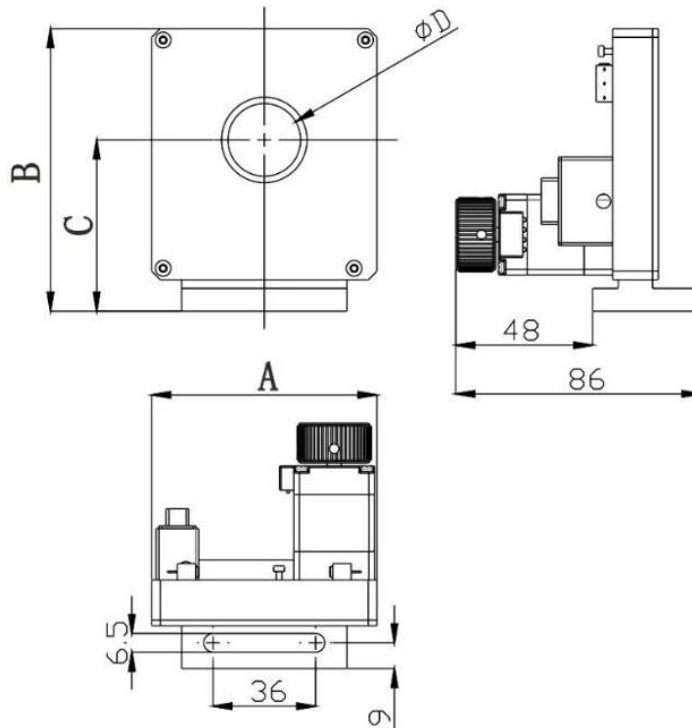


Iris D-Series

Part Number: IRD-7

Mechanical Drawing:



Technical Specifications:

Aperture, ΦD (mm)	$\Phi 1.2 - \Phi 7$
Width, A (mm)	58
Height, B (mm)	79
Distance from base to centre, C (mm)	50
Weight (kg)	0.51

NOTE: PROPRIETARY AND CONFIDENTIAL THE INFORMATION CONTAINED IN THIS DRAWING IS THE SOLE PROPERTY OF WAVELENGTH OPTO-ELECTRONIC(S) PTE LTD. ANY REPRODUCTION INPART OR AS A WHOLE WITHOUT THE WRITTEN PERMISSION OF WAVELENGTH OPTO-ELECTRONIC(S) PTE LTD. IS PROHIBITED.