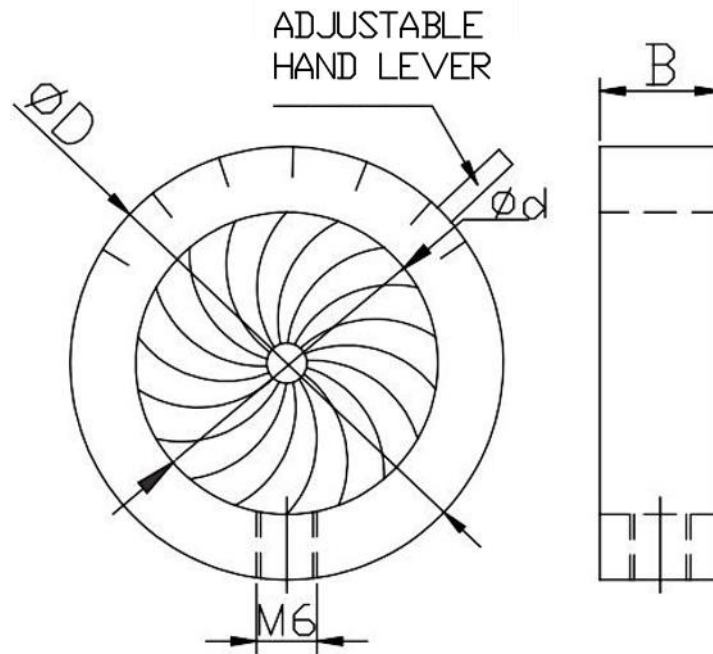


Iris C-Series

Part Number: IRC-37-70

Mechanical Drawing:



Technical Specifications:

Aperture, $\Phi d$ (mm)	$\Phi 2 - \Phi 37$
Outer Diameter, $\Phi D$ (mm)	$\Phi 70$
Width, B (mm)	9
Thread Size	M6

**NOTE: PROPRIETARY AND CONFIDENTIAL THE INFORMATION CONTAINED IN THIS DRAWING IS THE SOLE PROPERTY OF WAVELENGTH OPTO-ELECTRONIC(S) PTE LTD. ANY REPRODUCTION INPART OR AS A WHOLE WITHOUT THE WRITTEN PERMISSION OF WAVELENGTH OPTO-ELECTRONIC(S) PTE LTD. IS PROHIBITED.**