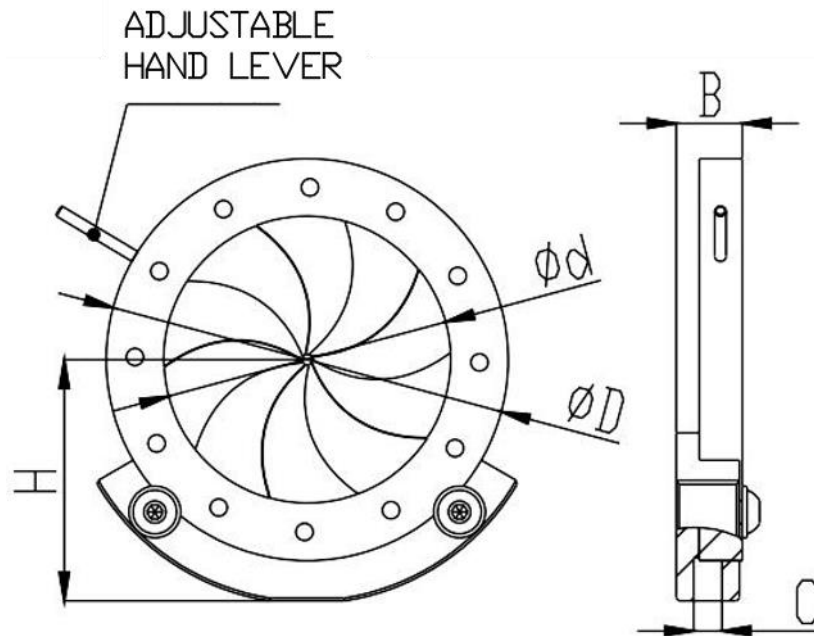


Iris B-Series

Part Number: IRB-12-19.8

Mechanical Drawing:



Technical Specifications:

Aperture, ϕd (mm)	$\phi 1 - \phi 12$
Outer Diameter, ϕD (mm)	$\phi 19.8$
Width, B (mm)	7.5
Height from base to centre, H (mm)	16.5
Thread Size	M4

NOTE: PROPRIETARY AND CONFIDENTIAL THE INFORMATION CONTAINED IN THIS DRAWING IS THE SOLE PROPERTY OF WAVELENGTH OPTO-ELECTRONIC(S) PTE LTD. ANY REPRODUCTION INPART OR AS A WHOLE WITHOUT THE WRITTEN PERMISSION OF WAVELENGTH OPTO-ELECTRONIC(S) PTE LTD. IS PROHIBITED.