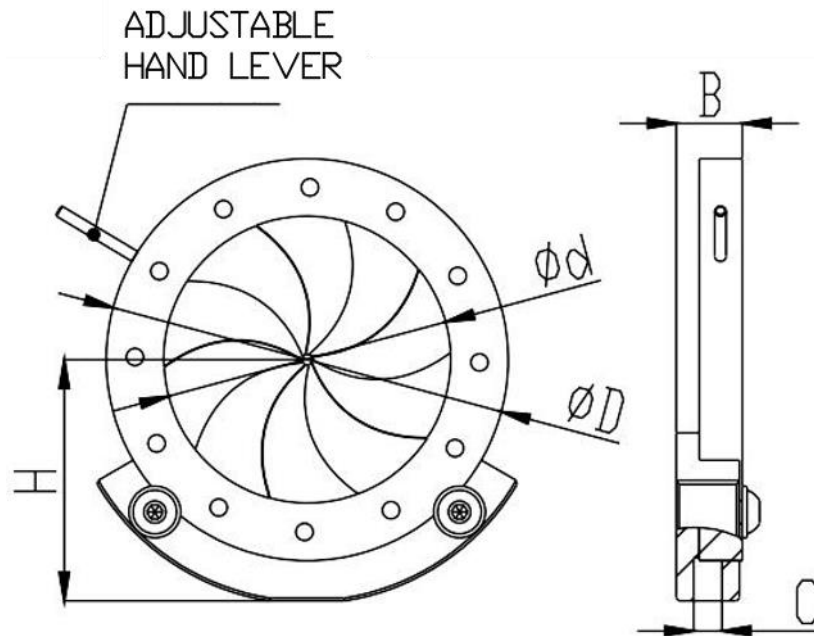


Iris B-Series

Part Number: IRB-8-14.8

Mechanical Drawing:



Technical Specifications:

Aperture, Φd (mm)	$\Phi 1 - \Phi 8$
Outer Diameter, ΦD (mm)	$\Phi 14.8$
Width, B (mm)	6.5
Height from base to centre, H (mm)	14
Thread Size	M4

NOTE: PROPRIETARY AND CONFIDENTIAL THE INFORMATION CONTAINED IN THIS DRAWING IS THE SOLE PROPERTY OF WAVELENGTH OPTO-ELECTRONIC(S) PTE LTD. ANY REPRODUCTION INPART OR AS A WHOLE WITHOUT THE WRITTEN PERMISSION OF WAVELENGTH OPTO-ELECTRONIC(S) PTE LTD. IS PROHIBITED.