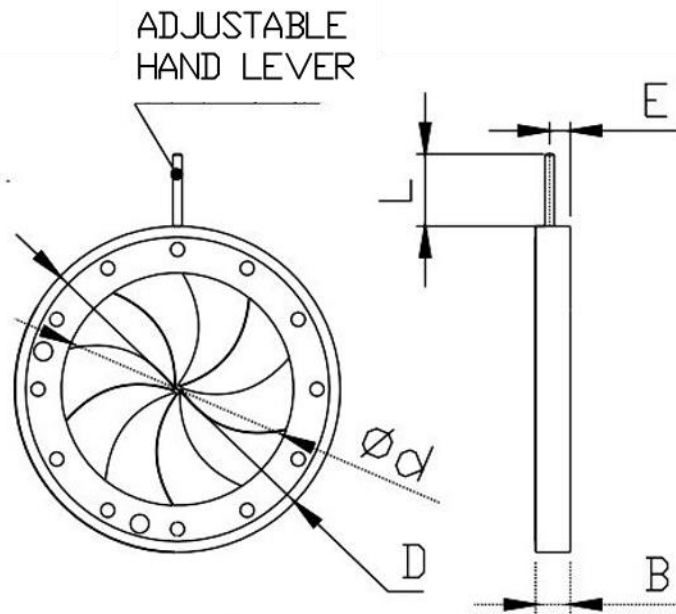


Iris A-Series

Part Number: IRA-37-53

Mechanical Drawing:



Technical Specifications:

Aperture, $\Phi d$ (mm)	$\Phi 2 - \Phi 37$
Outer Diameter, D (mm)	$\Phi 53$
Width, B (mm)	6
Lever Length, L (mm)	13
E (mm)	3.5

**NOTE: PROPRIETARY AND CONFIDENTIAL THE INFORMATION CONTAINED IN THIS DRAWING IS THE SOLE PROPERTY OF WAVELENGTH OPTO-ELECTRONIC(S) PTE LTD. ANY REPRODUCTION INPART OR AS A WHOLE WITHOUT THE WRITTEN PERMISSION OF WAVELENGTH OPTO-ELECTRONIC(S) PTE LTD. IS PROHIBITED.**