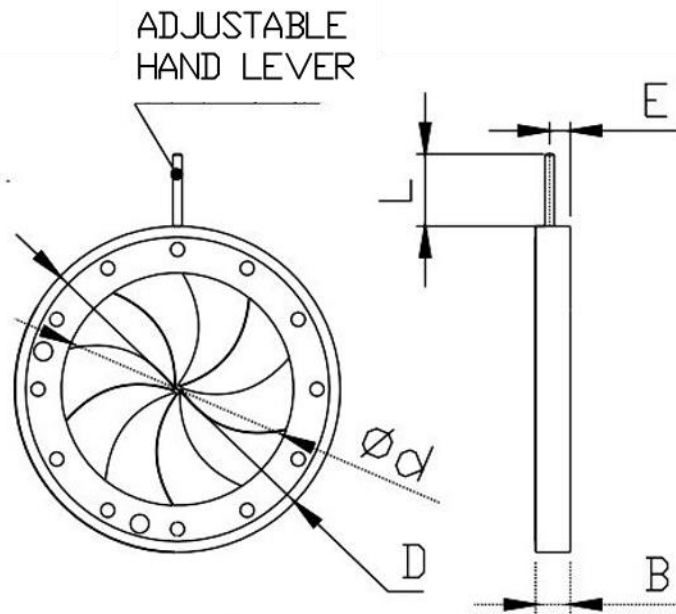


Iris A-Series

Part Number: IRA-8-14.8

Mechanical Drawing:



Technical Specifications:

Aperture, Φd (mm)	$\Phi 1 - \Phi 8$
Outer Diameter, D (mm)	$\Phi 14.8$
Width, B (mm)	4.5
Lever Length, L (mm)	7
E (mm)	2.7

NOTE: PROPRIETARY AND CONFIDENTIAL THE INFORMATION CONTAINED IN THIS DRAWING IS THE SOLE PROPERTY OF WAVELENGTH OPTO-ELECTRONIC(S) PTE LTD. ANY REPRODUCTION INPART OR AS A WHOLE WITHOUT THE WRITTEN PERMISSION OF WAVELENGTH OPTO-ELECTRONIC(S) PTE LTD. IS PROHIBITED.