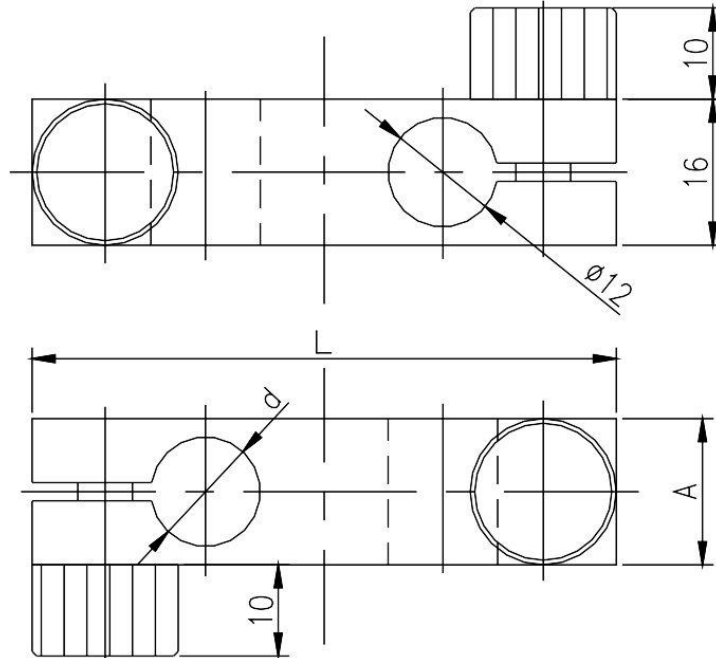


Cross Post Adapter A-Series

Part Number: CPAA-16

Mechanical Drawing:



Technical Specifications:

Diameter, d (mm)	Ø16
Length, L (mm)	68
Width, A (mm)	20

**NOTE: PROPRIETARY AND CONFIDENTIAL THE INFORMATION CONTAINED IN THIS DRAWING IS THE SOLE PROPERTY OF WAVELENGTH OPTO-ELECTRONIC(S) PTE LTD. ANY REPRODUCTION INPART OR AS A WHOLE WITHOUT THE WRITTEN PERMISSION OF WAVELENGTH OPTO-ELECTRONIC(S) PTE LTD. IS PROHIBITED.**