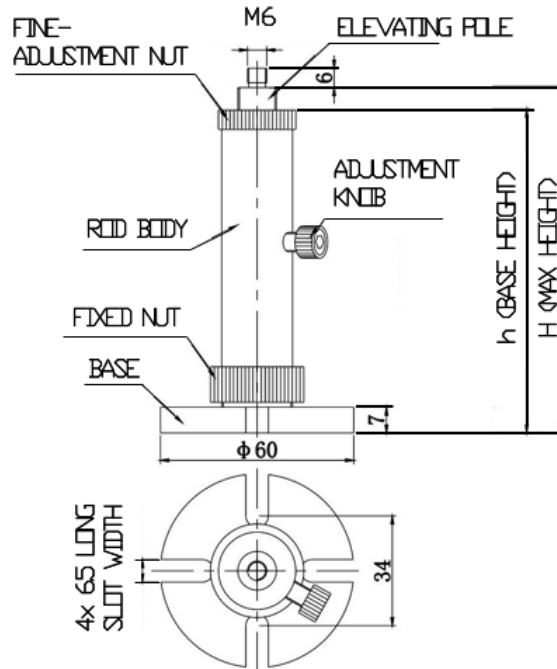


Rotational Post Holder A-Series

Part Number: RPHA-125

Mechanical Drawing:



Technical Specifications:

Base Height, $h$ (mm)	125
Max Height, $H$ (mm)	170
Weight (kg)	0.19

**NOTE: PROPRIETARY AND CONFIDENTIAL THE INFORMATION CONTAINED IN THIS DRAWING IS THE SOLE PROPERTY OF WAVELENGTH OPTO-ELECTRONIC(S) PTE LTD. ANY REPRODUCTION INPART OR AS A WHOLE WITHOUT THE WRITTEN PERMISSION OF WAVELENGTH OPTO-ELECTRONIC(S) PTE LTD. IS PROHIBITED.**