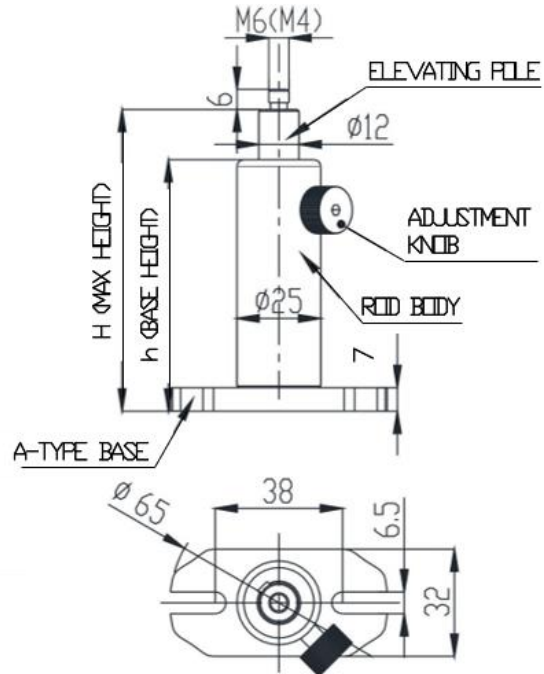


Rotational Post Holder C-Series

Part Number: RPHC-50

Mechanical Drawing:



Technical Specifications:

Base Height, h (mm)	50
Max Height, H (mm)	70
Weight (kg)	0.13

NOTE: PROPRIETARY AND CONFIDENTIAL THE INFORMATION CONTAINED IN THIS DRAWING IS THE SOLE PROPERTY OF WAVELENGTH OPTO-ELECTRONIC(S) PTE LTD. ANY REPRODUCTION INPART OR AS A WHOLE WITHOUT THE WRITTEN PERMISSION OF WAVELENGTH OPTO-ELECTRONIC(S) PTE LTD. IS PROHIBITED.