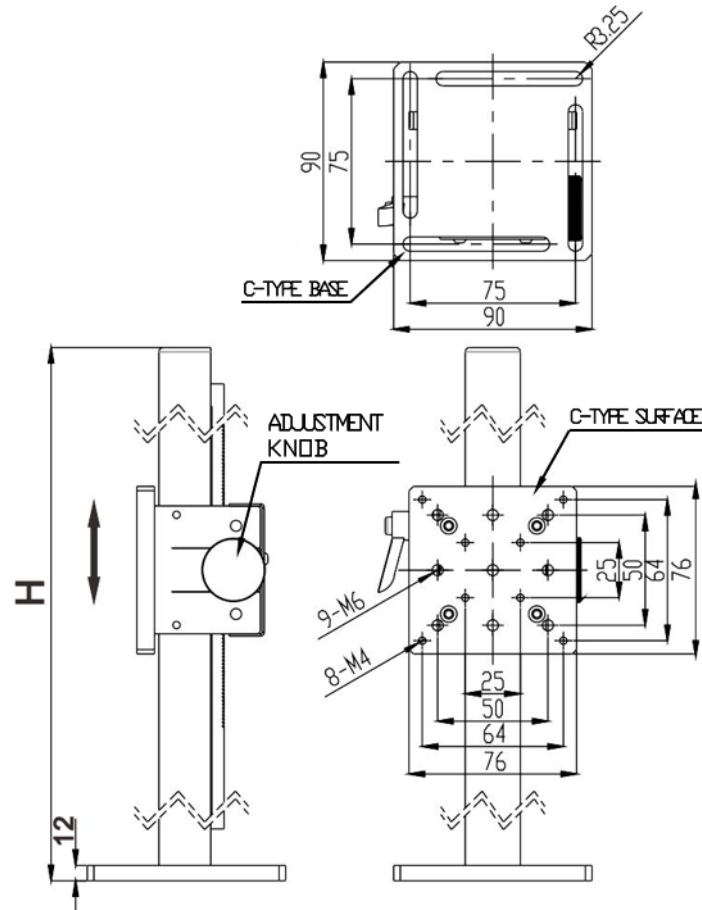


Rod Clamp with Rod B-Series

Part Number: RCRB-C-76-300

Mechanical Drawing:



Technical Specifications:

| | |
|---------------------------|---------|
| Length (mm) | 76 x 76 |
| Height, H (mm) | 300 |
| Maximum Displacement (mm) | 210 |
| Weight (kg) | 1.05 |

NOTE: PROPRIETARY AND CONFIDENTIAL THE INFORMATION CONTAINED IN THIS DRAWING IS THE SOLE PROPERTY OF WAVELENGTH OPTO-ELECTRONIC(S) PTE LTD. ANY REPRODUCTION INPART OR AS A WHOLE WITHOUT THE WRITTEN PERMISSION OF WAVELENGTH OPTO-ELECTRONIC(S) PTE LTD. IS PROHIBITED.