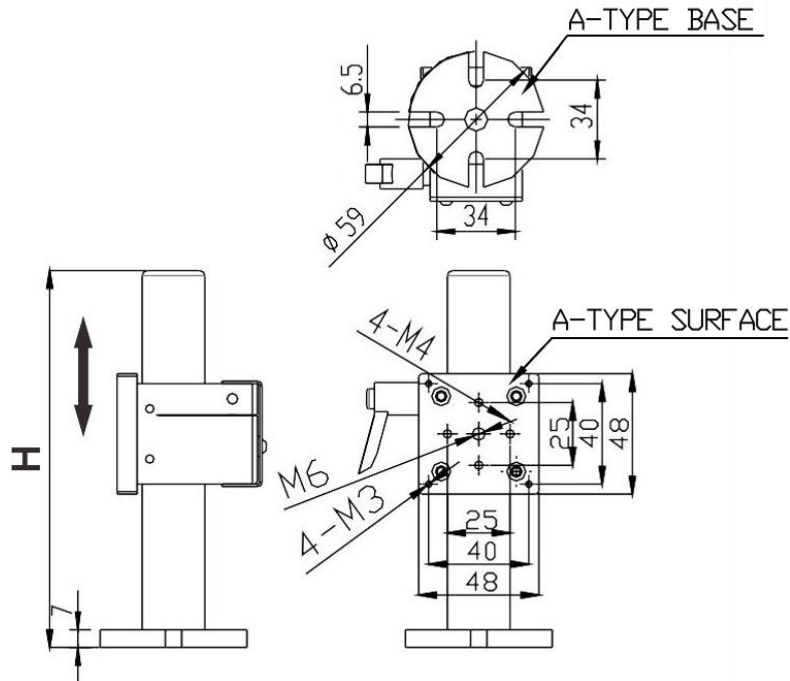


Rod Clamp with Rod A-Series

Part Number: RCRA-A-48-200

Mechanical Drawing:



Technical Specifications:

Length (mm)	48 x 48
Height, H (mm)	200
Maximum Displacement (mm)	145
Weight (kg)	0.46

NOTE: PROPRIETARY AND CONFIDENTIAL THE INFORMATION CONTAINED IN THIS DRAWING IS THE SOLE PROPERTY OF WAVELENGTH OPTO-ELECTRONIC(S) PTE LTD. ANY REPRODUCTION INPART OR AS A WHOLE WITHOUT THE WRITTEN PERMISSION OF WAVELENGTH OPTO-ELECTRONIC(S) PTE LTD. IS PROHIBITED.