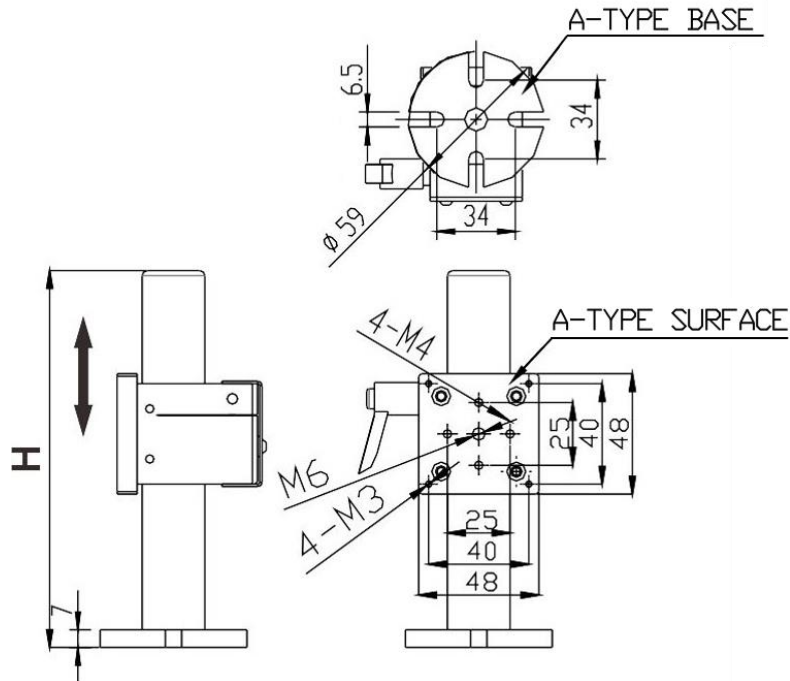


Rod Clamp with Rod A-Series

Part Number: RCRA-A-48-150

Mechanical Drawing:



Technical Specifications:

Length (mm)	48 x 48
Height, H (mm)	150
Maximum Displacement (mm)	95
Weight (kg)	0.4

**NOTE: PROPRIETARY AND CONFIDENTIAL THE INFORMATION CONTAINED IN THIS DRAWING IS THE SOLE PROPERTY OF WAVELENGTH OPTO-ELECTRONIC(S) PTE LTD. ANY REPRODUCTION INPART OR AS A WHOLE WITHOUT THE WRITTEN PERMISSION OF WAVELENGTH OPTO-ELECTRONIC(S) PTE LTD. IS PROHIBITED.**