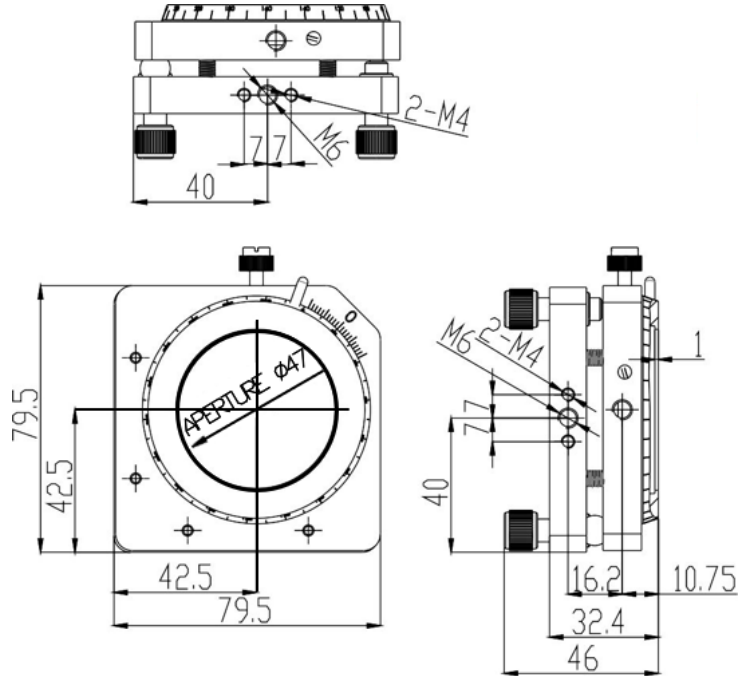


Polarized Holder B-Series

Part Number: PHB-50

Mechanical Drawing:



Technical Specifications:

Dimensions (mm)		80x80
Dimensions of Lens (mm)		Φ50x2~10
Polarization Range	Y-Axis	360°
	X and Z-Axis	±3°
Minimum Angle for X and Z-Axis		0.003°
Minimum Angle for Y-Axis		0.2°
Weight (kg)		0.23

NOTE: PROPRIETARY AND CONFIDENTIAL THE INFORMATION CONTAINED IN THIS DRAWING IS THE SOLE PROPERTY OF WAVELENGTH OPTO-ELECTRONIC(S) PTE LTD. ANY REPRODUCTION INPART OR AS A WHOLE WITHOUT THE WRITTEN PERMISSION OF WAVELENGTH OPTO-ELECTRONIC(S) PTE LTD. IS PROHIBITED.