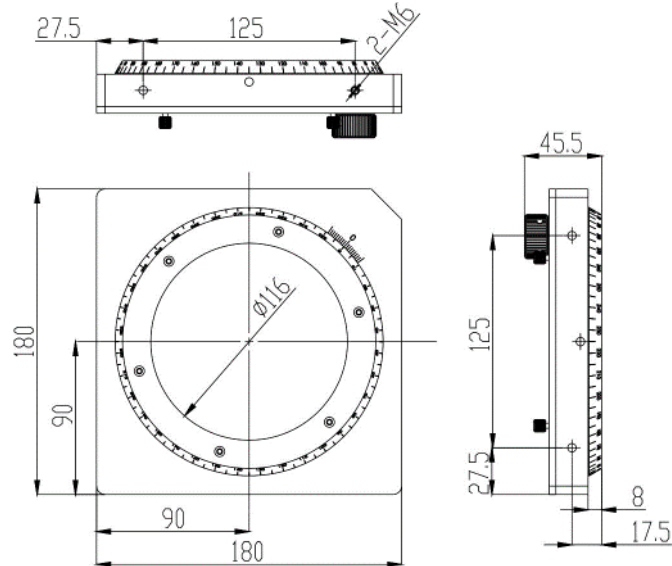


Polarized Holder A-Series

Part Number: PHA-120

Mechanical Drawing:



Technical Specifications:

Dimensions (mm)	180x180
Dimensions of Lens (mm)	Φ120
Polarization Range	360°
Minimum Angle	0.1°
Weight (kg)	1.5

**NOTE: PROPRIETARY AND CONFIDENTIAL THE INFORMATION CONTAINED IN THIS DRAWING IS THE SOLE PROPERTY OF WAVELENGTH OPTO-ELECTRONIC(S) PTE LTD. ANY REPRODUCTION INPART OR AS A WHOLE WITHOUT THE WRITTEN PERMISSION OF WAVELENGTH OPTO-ELECTRONIC(S) PTE LTD. IS PROHIBITED.**