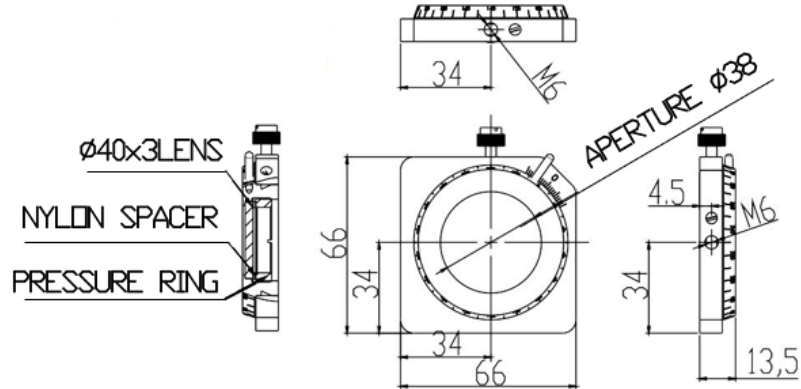


Polarized Holder A-Series

Part Number: PHA-40

Mechanical Drawing:



Technical Specifications:

|                         |         |
|-------------------------|---------|
| Dimensions (mm)         | 66x66   |
| Dimensions of Lens (mm) | Φ40x2~8 |
| Polarization Range      | 360°    |
| Minimum Angle           | 0.2°    |
| Weight (kg)             | 0.09    |

**NOTE: PROPRIETARY AND CONFIDENTIAL THE INFORMATION CONTAINED IN THIS DRAWING IS THE SOLE PROPERTY OF WAVELENGTH OPTO-ELECTRONIC(S) PTE LTD. ANY REPRODUCTION INPART OR AS A WHOLE WITHOUT THE WRITTEN PERMISSION OF WAVELENGTH OPTO-ELECTRONIC(S) PTE LTD. IS PROHIBITED.**