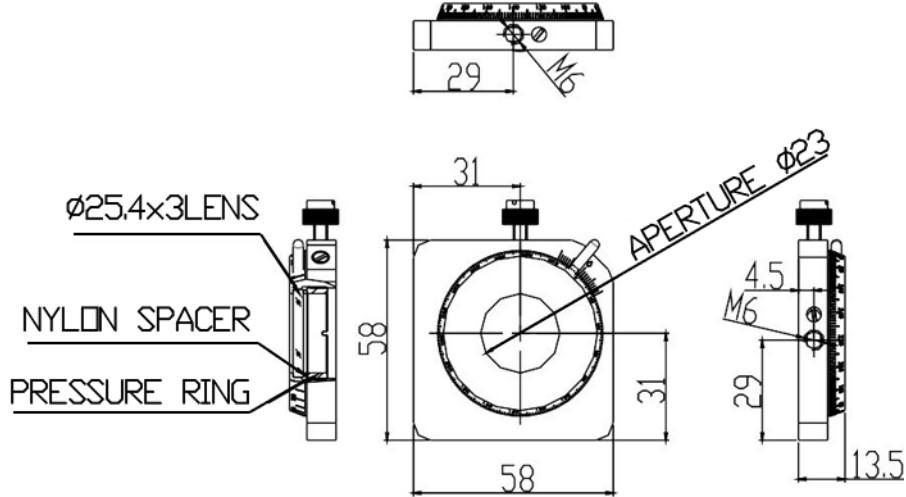


Polarized Holder A-Series

Part Number: PHA-25.4

Mechanical Drawing:



Technical Specifications:

| | |
|-------------------------|------------------------------------|
| Dimensions (mm) | 58x58 |
| Dimensions of Lens (mm) | $\varnothing 25.4 \times 2 \sim 8$ |
| Polarization Range | 360° |
| Minimum Angle | 0.2° |
| Weight (kg) | 0.09 |

NOTE: PROPRIETARY AND CONFIDENTIAL THE INFORMATION CONTAINED IN THIS DRAWING IS THE SOLE PROPERTY OF WAVELENGTH OPTO-ELECTRONIC(S) PTE LTD. ANY REPRODUCTION IN PART OR AS A WHOLE WITHOUT THE WRITTEN PERMISSION OF WAVELENGTH OPTO-ELECTRONIC(S) PTE LTD. IS PROHIBITED.