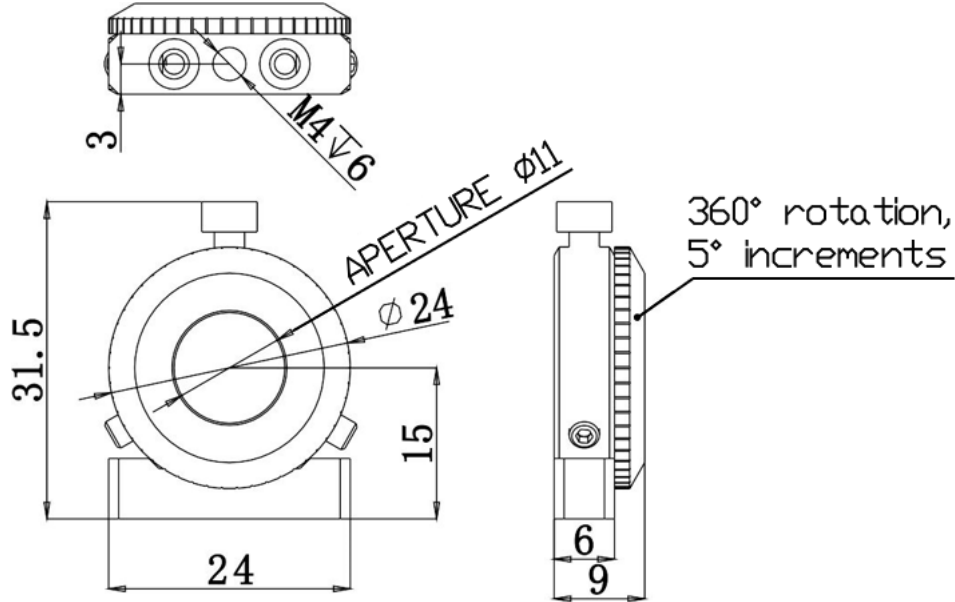


Polarized Holder A-Series

Part Number: PHA-12.7Round

Mechanical Drawing:



Technical Specifications:

Dimensions (mm)	24x30
Dimensions of Lens (mm)	Φ12.7x1~4
Polarization Range	360°
Minimum Angle	5°
Weight (kg)	0.01

NOTE: PROPRIETARY AND CONFIDENTIAL THE INFORMATION CONTAINED IN THIS DRAWING IS THE SOLE PROPERTY OF WAVELENGTH OPTO-ELECTRONIC(S) PTE LTD. ANY REPRODUCTION INPART OR AS A WHOLE WITHOUT THE WRITTEN PERMISSION OF WAVELENGTH OPTO-ELECTRONIC(S) PTE LTD. IS PROHIBITED.