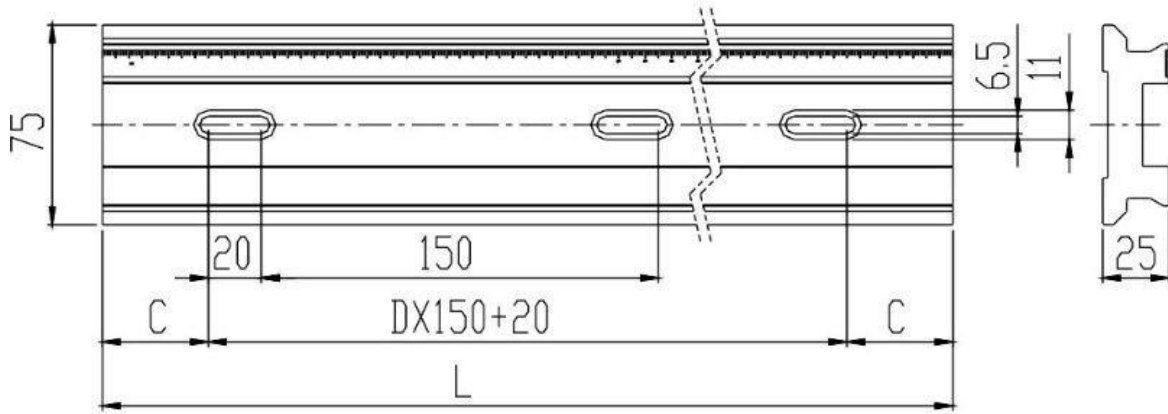


Optical Rail C-Series

Part Number: ORC-800

Mechanical Drawing:



Technical Specifications:

| | |
|---------------------|-----------|
| Length, L (mm) | 800 |
| Height (mm) | 25 |
| Width (mm) | 75 |
| C (mm) | 15 |
| D | 5 |
| Optional Components | Carrier C |

NOTE: PROPRIETARY AND CONFIDENTIAL THE INFORMATION CONTAINED IN THIS DRAWING IS THE SOLE PROPERTY OF WAVELENGTH OPTO-ELECTRONIC(S) PTE LTD. ANY REPRODUCTION INPART OR AS A WHOLE WITHOUT THE WRITTEN PERMISSION OF WAVELENGTH OPTO-ELECTRONIC(S) PTE LTD. IS PROHIBITED.