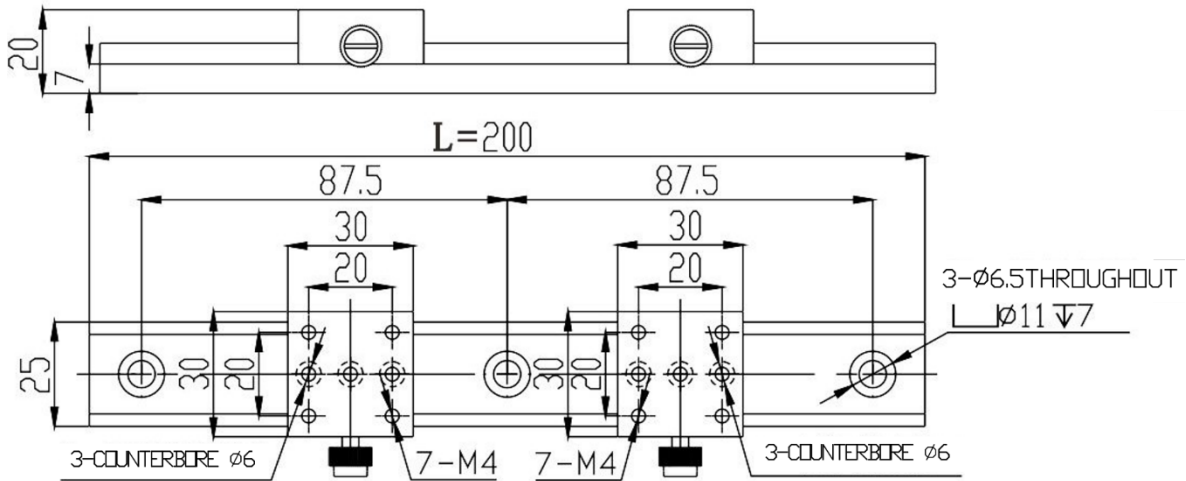


Optical Rail A-Series

Part Number: ORA-200

Mechanical Drawing:



Technical Specifications:

Length, L (mm)	200
Height (mm)	12
Width (mm)	25
Weight (kg)	0.19
Optional Components / Qty	Carrier A / 2

**NOTE: PROPRIETARY AND CONFIDENTIAL THE INFORMATION CONTAINED IN THIS DRAWING IS THE SOLE PROPERTY OF WAVELENGTH OPTO-ELECTRONIC(S) PTE LTD. ANY REPRODUCTION INPART OR AS A WHOLE WITHOUT THE WRITTEN PERMISSION OF WAVELENGTH OPTO-ELECTRONIC(S) PTE LTD. IS PROHIBITED.**