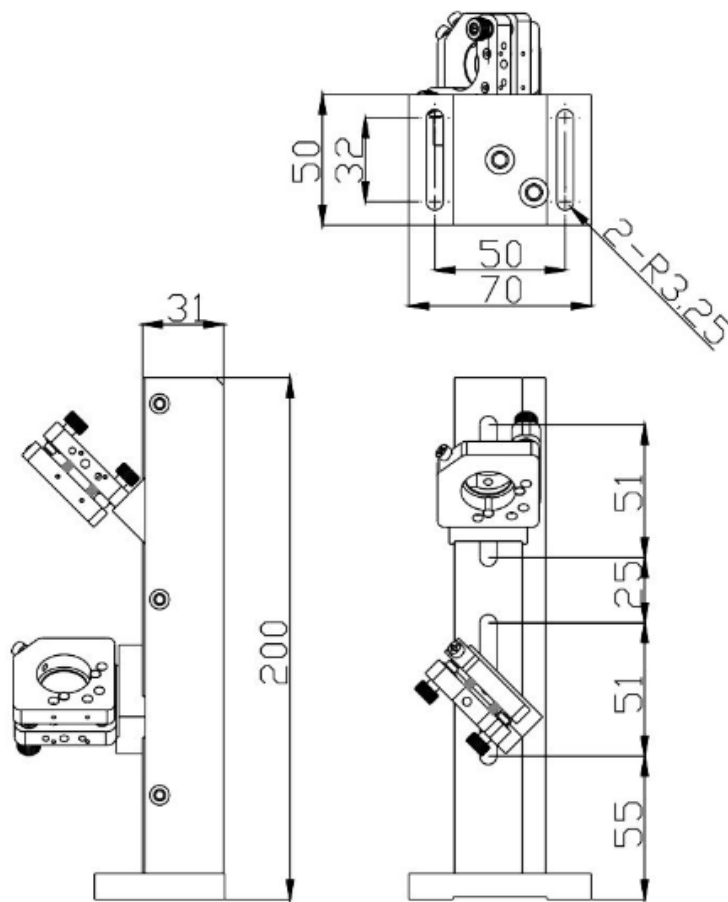


Optical Path Climbing Frame

Part Number: OCF-25.4

Mechanical Drawing:



Technical Specifications:

Clamping Lens (mm)	Ø 25.4
Z – direction lift (mm)	± 25.5
Angle Adjustment Range θ_X, θ_Y (°)	± 1.5
Weight (Kg)	0.58

NOTE: PROPRIETARY AND CONFIDENTIAL THE INFORMATION CONTAINED IN THIS DRAWING IS THE SOLE PROPERTY OF WAVELENGTH OPTO-ELECTRONIC(S) PTE LTD. ANY REPRODUCTION INPART OR AS A WHOLE WITHOUT THE WRITTEN PERMISSION OF WAVELENGTH OPTO-ELECTRONIC(S) PTE LTD. IS PROHIBITED.