

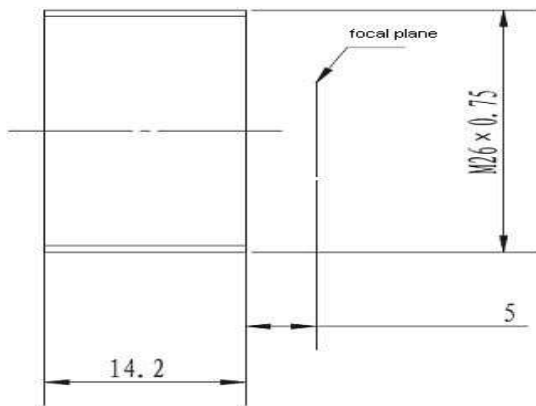
MWIR Lens 3-5μm



Part no.: IRM9.05-0.7-32

Opto-Mechanic Property	Specification	Remarks
Focal Length	9.05mm	
F#	0.7	
Wavelength	3μm—5μm	
Image Diagonal	4.5mm	
Average Transmission	>90%	
Circular FOV	20°	
Back Focus Distance	-	
Back Working Distance	5mm	
Dimensions	Length14.2mm, Φ26mm	
Focus Type	Fixed Focus	
Focus Range	-	
Mount Type	M26*0.75	
Detector	32*32pixels, 100μm	
Weight	-	
Environmental		
Operating Temperature	-20°C to +60°C	
Storage Temperature	-40°C to +80°C	
External Coating	AR	Anti-Reflection coating
Humidity	100%RH at 26°C and 74%RH at 35°C for 24 hours	

Drawing



MWIR Lens (3-5μm)

MWIR Lens 3-5μm

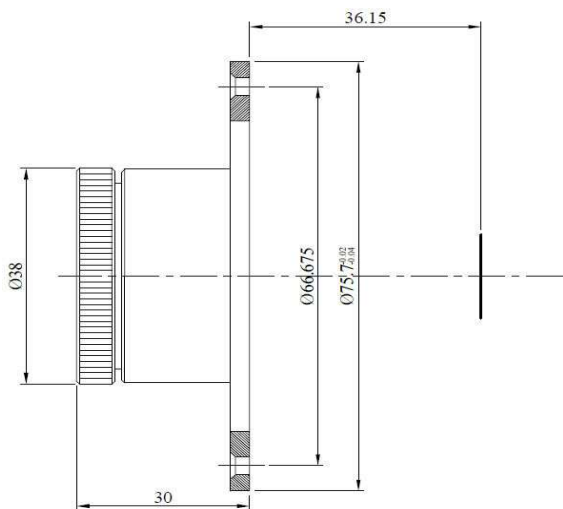


Part no.: IRM40-6.0-320

Opto-Mechanic Property	Specification	Remarks
Focal Length	40mm	
F#	6.0	
Wavelength	3μm—5μm	
Image Diagonal	12.3mm	
Average Transmission	>85%	
Circular FOV	17.48°	
Back Focus Distance	-	
Back Working Distance	36.15mm	
Dimensions	Length30mm, Φ38mm	
Focus Type	Fixed Focus	
Focus Range	-	
Mount Type	-	
Detector	320*256pixels, 30μm	
Weight	-	
Environmental		
Operating Temperature	-20°C to +60°C	
Storage Temperature	-40°C to +80°C	
External Coating	DLC	Diamond like coating
Humidity	100%RH at 26°C and 74%RH at 35°C for 24 hours	

MWIR Lens
(3-5μm)

Drawing

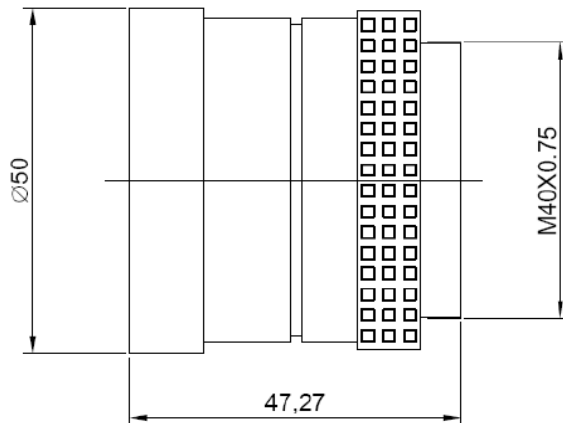


MWIR Lens 3-5µm

Part no.: IRM05020320

Opto-Mechanic Property	Specification	Remarks
Focal Length	50mm	
F#	2.0	
Wavelength	3µm—5µm	
Image Diagonal	12mm	
Average Transmission	>80%	
Circular FOV	13.68°	
Back Focus Distance	Refer to Drawing	
Back Working Distance	12.5mm(Lf')	
Dimensions	Length47.27, Φ50mm	
Focus Type	Manual Focus	
Focus Range	2m to infinity	
Mount Type	M40*0.75	
Detector	320*240pixels, 30µm	
Weight	-	
Environmental		
Operating Temperature	-20°C to +60°C	
Storage Temperature	-40°C to +80°C	
External Coating	DLC	Diamond like coating
Humidity	100%RH at 26°C and 74%RH at 35°C for 24 hours	

Drawing



MWIR Lens (3-5µm)

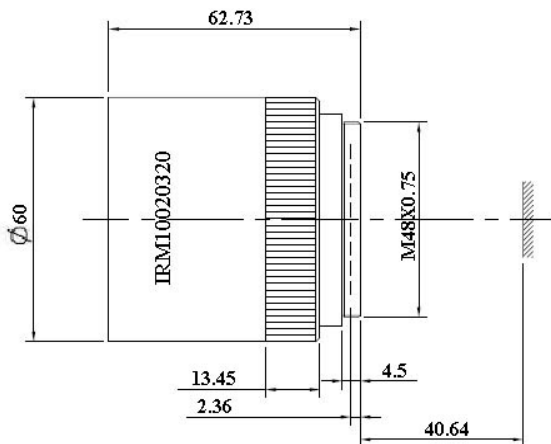
MWIR Lens 3-5μm

Part no.: IRM10020320

Opto-Mechanic Property	Specification	Remarks
Focal Length	100mm	
F#	2.0	
Wavelength	3μm—5μm	
Image Diagonal	12mm	
Average Transmission	>80%	
Circular FOV	6.87°	
Back Focus Distance	45.14mm	
Back Working Distance	40.64mm	
Dimensions	Length 62.73mm, Φ60mm	
Focus Type	Manual Focus	
Focus Range	2m to infinity	
Mount Type	M48*0.75	
Detector	320*240pixels, 30μm	
Weight	-	
Environmental		
Operating Temperature	-30°C to +60°C	
Storage Temperature	-40°C to +80°C	
External Coating	DLC	Diamond like coating
Humidity	100%RH at 26°C and 74%RH at 35°C for 24 hours	

MWIR Lens
(3-5μm)

Drawing



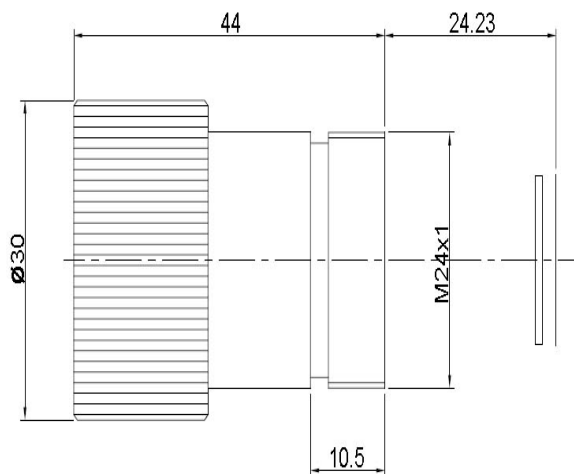
MWIR Lens 3-5μm



Part no.: IRM13-2.0-640

Opto-Mechanic Property	Specification	Remarks
Focal Length	13mm	
F#	2.0	
Wavelength	3μm—5μm	
Image Diagonal	16.39mm	
Average Transmission	>90%	
Circular FOV	65°	
Back Focus Distance	-	
Back Working Distance	24.23mm	
Dimensions	Length44mm, Φ30mm	
Focus Type	Manual Focus	
Focus Range	-	
Mount Type	M24*1	
Detector	640*512pixels, 20μm	
Weight	-	
Environmental		
Operating Temperature	-30°C to +60°C	
Storage Temperature	-40°C to +80°C	
External Coating	AR	Anti-Reflection coating
Humidity	100%RH at 26°C and 74%RH at 35°C for 24 hours	

Drawing



MWIR Lens (3-5μm)

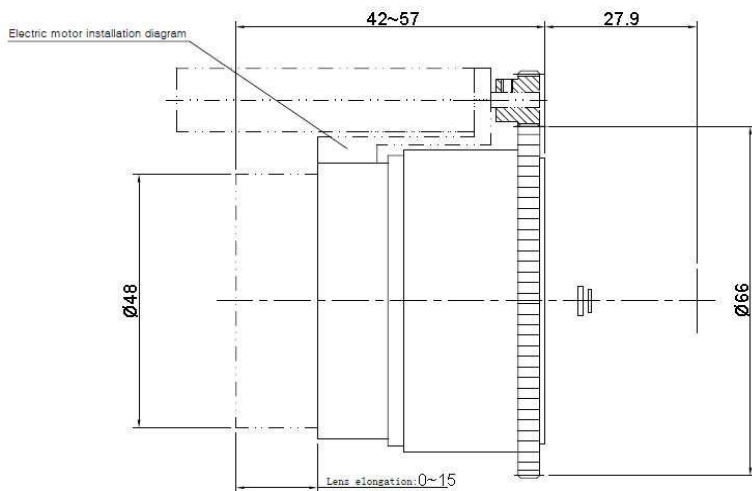
MWIR Lens 3-5μm



Part no.: IRM70-4.62-320-MOT

Opto-Mechanic Property	Specification	Remarks
Focal Length	70mm	
F#	4.62	
Wavelength	3μm—5μm	
Image Diagonal	12mm	
Average Transmission	>90%	
Circular FOV	9.8°	
Back Focus Distance	-	
Back Working Distance	27.9mm	
Dimensions	Length42~57mm, Φ48mm	
Focus Type	Motorized Focus	
Focus Range	-	
Mount Type	-	
Detector	320*240pixels, 30μm	
Weight	-	
Environmental		
Operating Temperature	-30°C to +60°C	
Storage Temperature	-40°C to +80°C	
External Coating	DLC	Diamond like coating
Humidity	100%RH at 26°C and 74%RH at 35°C for 24 hours	

Drawing



MWIR Lens (3-5μm)

MWIR Lens 3-5μm

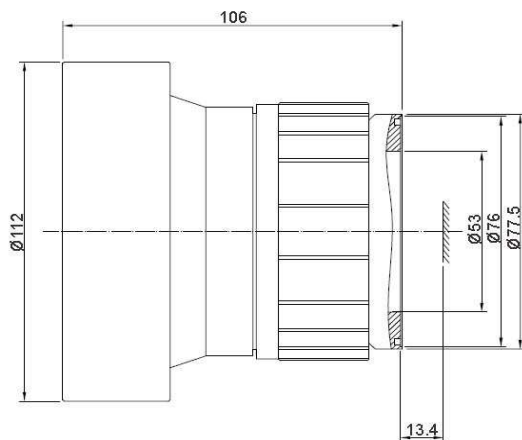


Part no.: IRM100-1.0-640

Opto-Mechanic Property	Specification	Remarks
Focal Length	100mm	
F#	1.0	
Wavelength	3μm—5μm	
Image Diagonal	20mm	
Average Transmission	>90%	
Circular FOV	11.4°	
Back Focus Distance	-	
Back Working Distance	13.4mm	
Dimensions	Length106mm, Φ112mm	
Focus Type	Manual Focus	
Focus Range	2m to infinity	
Mount Type	-	
Detector	640*480pixels, 25μm	
Weight	-	
Environmental		
Operating Temperature	-30°C to +60°C	
Storage Temperature	-40°C to +80°C	
External Coating	AR	Anti-Reflection Coating
Humidity	100%RH at 26°C and 74%RH at 35°C for 24 hours	

MWIR Lens
(3-5μm)

Drawing



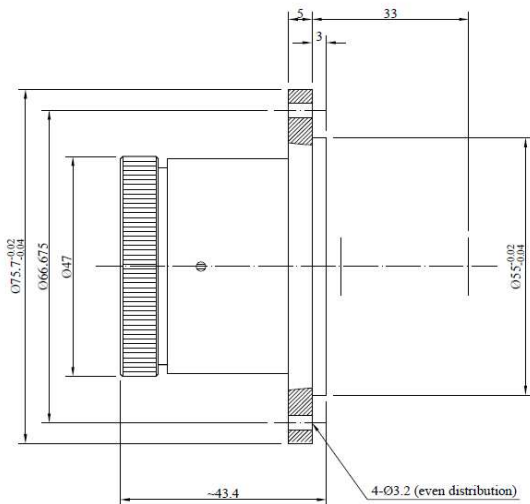
MWIR Lens 3-5μm



Part no.: IRM40-4.0-640

Opto-Mechanic Property	Specification	Remarks
Focal Length	40mm	
F#	4.0	
Wavelength	3μm—5μm	
Image Diagonal	20mm	
Average Transmission	>90%	
Circular FOV	17.48°	
Back Focus Distance	22.7mm	
Back Working Distance	12.3mm	
Dimensions	Length43.4mm, Φ75.7mm	
Focus Type	Manual Focus	
Focus Range	2m to infinity	
Mount Type	-	
Detector	640*512pixels, 15μm	
Weight	-	
Environmental		
Operating Temperature	-30°C to +60°C	
Storage Temperature	-40°C to +80°C	
External Coating	AR	Anti-Reflection Coating
Humidity	100%RH at 26°C and 74%RH at 35°C for 24 hours	

Drawing



MWIR Lens (3-5μm)

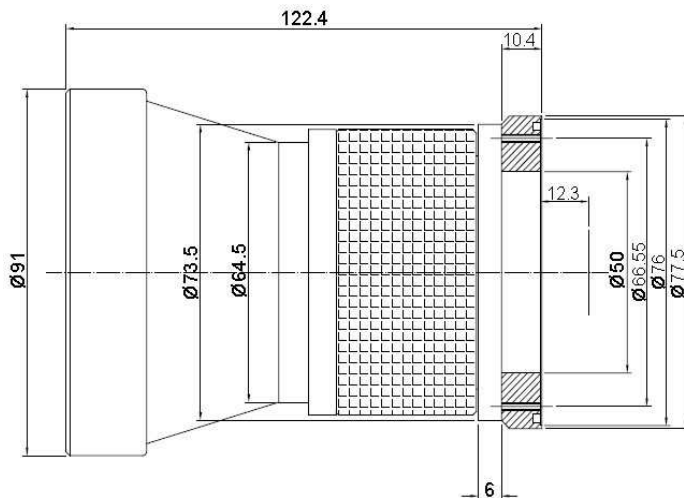
MWIR Lens 3-5μm



Part no.: IRM100-1.25-640

Opto-Mechanic Property	Specification	Remarks
Focal Length	100mm	
F#	1.25	
Wavelength	3μm—5μm	
Image Diagonal	20mm	
Average Transmission	>90%	
Circular FOV	11.4°	
Back Focus Distance	22.7mm	
Back Working Distance	12.3mm	
Dimensions	Length122.4mm, Φ91mm	
Focus Type	Manual Focus	
Focus Range	2m to infinity	
Mount Type	-	
Detector	640*480pixels, 25μm	
Weight	-	
Environmental		
Operating Temperature	-30°C to +60°C	
Storage Temperature	-40°C to +80°C	
External Coating	AR	Anti-Reflection Coating
Humidity	100%RH at 26°C and 74%RH at 35°C for 24 hours	

Drawing



MWIR Lens
(3-5μm)

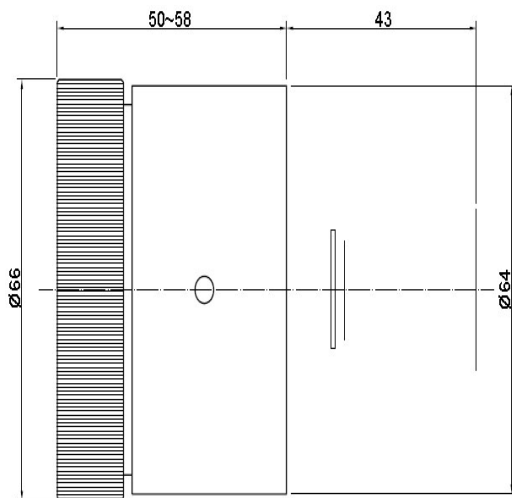
MWIR Lens 3-5um



Part no.: IRM50-20-1280

Opto-Mechanic Property	Specification	Remarks
Focal Length	50mm	
F#	2.0	
Wavelength	3μm—5μm	
Image Diagonal	25.9mm	
Average Transmission	>85%	
Circular FOV	29°	
Back Focus Distance	-	
Back Working Distance	43mm	
Dimensions	Length50~58mm, Φ66mm	
Focus Type	Manual Focus	
Focus Range	-	
Mount Type	-	
Detector	1280*1160pixels, 15μm	
Weight	-	
Environmental		
Operating Temperature	-30°C to +60°C	
Storage Temperature	-40°C to +80°C	
External Coating	DLC	Diamond like coating
Humidity	100%RH at 26°C and 74%RH at 35°C for 24 hours	

Drawing



MWIR Lens (3-5μm)